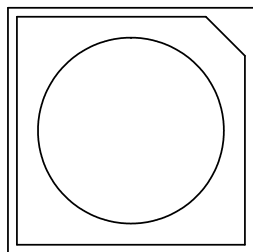
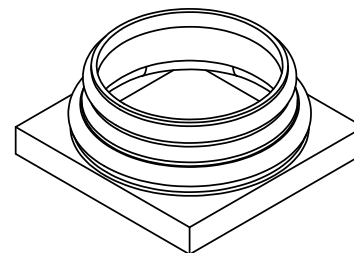
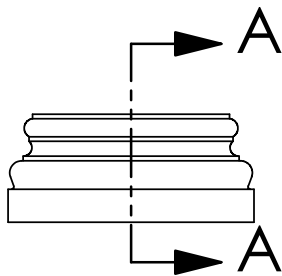
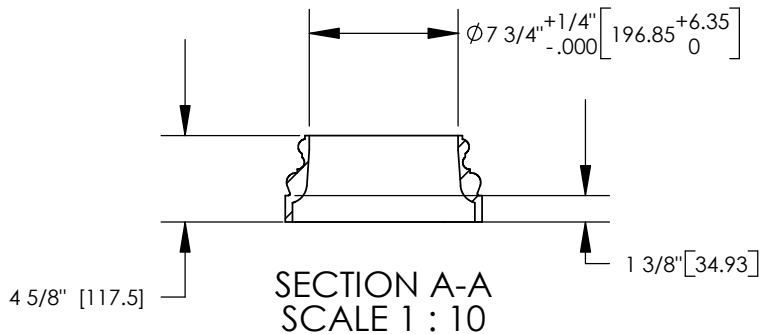


NOTES:

1. DIMENSIONS WITHIN THE PARENTHESES ARE METRIC UNITS (millimeters) or (Kg=Kilograms)
2. MATERIAL: FIBERGLASS REINFORCED POLYMER (FRP)
3. WEIGHT: 13 Lb. (5.9 Kg)



ARCHITECTURAL  
VIEW  
SCALE: 1/25

Column & Post, Inc.™  
8013 Purfoy Road  
Fuquay-Varina, NC 27526  
Tel: (919) 255-1533  
Fax: (919) 255-1553  
E-Mail: www.columnpost.com

		DIMENSIONS ARE IN INCHES TOLERANCES: FRACTIONAL ± 1/8 ANGULAR: MACH ± BEND ± TWO PLACE DECIMAL ± THREE PLACE DECIMAL ±	DRAWN	NAME	DATE	© COPYRIGHT COLUMN & POST, Inc. 2002  <b>ATTIC 8 INCH          BASE</b>		
			CHECKED	RK				
			ENG APPR.	RK				
			MFG APPR.	RK				
			Q.A.	RK				
			COMMENTS:					
		MATERIAL				SIZE	DWG. NO.	REV.
		FINISH				<b>A</b>		<b>02</b>
NEXT ASSY	USED ON					SCALE: 1/8	WEIGHT:	SHEET 1 OF 1
APPLICATION		DO NOT SCALE DRAWING						