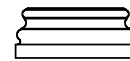
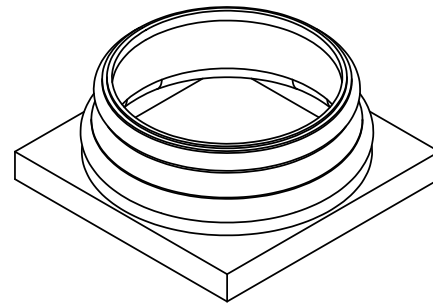
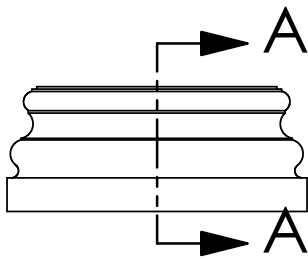
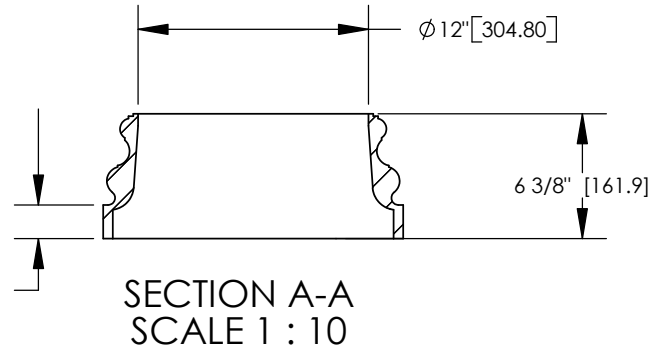
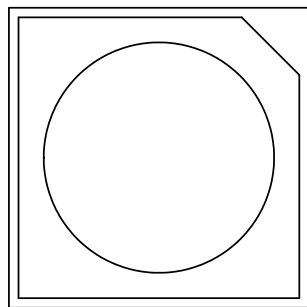


- NOTES:
1. DIMENSIONS WITHIN THE PARENTHESES ARE METRIC UNITS (millimeters) or (Kg=Kilograms)
 2. MATERIAL: FIBERGLASS REINFORCED POLYMER (FRP)
 3. WEIGHT: 21 Lb. (9.5 Kg)



ARCHITECTURAL
VIEW
SCALE: 1/25



Column & Post, Inc.™
8013 Purfoy Road
Fuquay-Varina, NC 27526
Tel: (919) 255-1533
Fax: (919) 255-1553
E-Mail: www.columnpost.com

		DIMENSIONS ARE IN INCHES TOLERANCES: FRACTIONAL ± 1/8 ANGULAR: MACH ± BEND ± TWO PLACE DECIMAL ± THREE PLACE DECIMAL ±		NAME	DATE	© COPYRIGHT COLUMN & POST, Inc. 2002 ATTIC 12 INCH BASE
			DRAWN	SOF	05/05/08	
			CHECKED	RK		
			ENG APPR	RK.		
			MFG APPR	RK.		
		MATERIAL	Q.A.	RK		
		FINISH	COMMENTS:			
NEXT ASSY	USED ON					SIZE A DWG. NO. SCALE: 1/10 WEIGHT: SHEET 1 OF 1
APPLICATION	DO NOT SCALE DRAWING					REV. 02