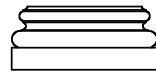
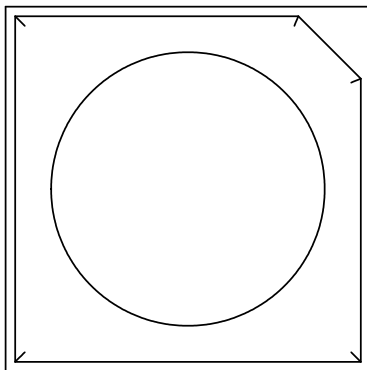
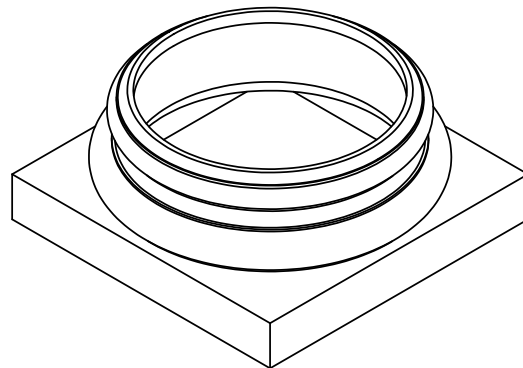
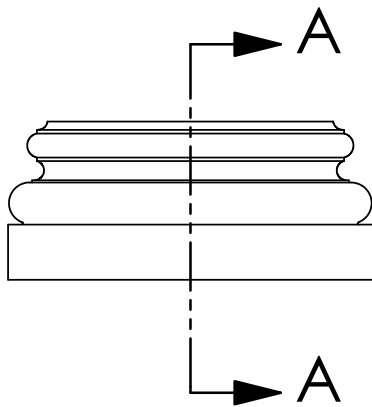
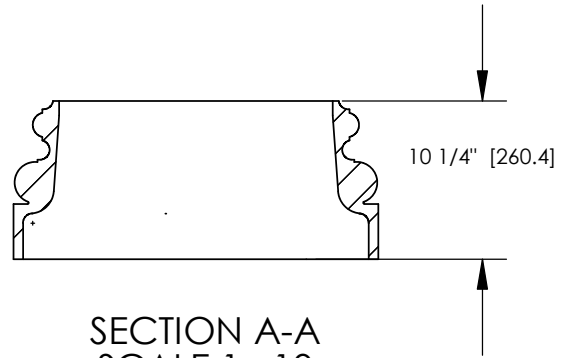


- NOTES:
1. DIMENSIONS WITHIN THE PARENTHESES ARE METRIC UNITS (millimeters) or (Kg=Kilograms)
 2. MATERIAL: FIBERGLASS REINFORCED POLYMER (FRP)
 3. WEIGHT:



ARCHITECTURAL VIEW
SCALE: 1/25

Column & Post, Inc.™
8013 Purfoy Road
Fuquay-Varina, NC 27526
Tel: (919) 255-1533
Fax: (919) 255-1553
E-Mail: www.columnpost.com

		DIMENSIONS ARE IN INCHES TOLERANCES: FRACTIONAL ±1/8 ANGULAR: MACH ± BEND ± TWO PLACE DECIMAL ± THREE PLACE DECIMAL ±	NAME	DATE	© COPYRIGHT COLUMN & POST, Inc. 2002 ATTIC 18 INCH BASE
			DRAWN	SOF 05/05/08	
			CHECKED	RK	
			ENG APPR.	RK	
			MFG APPR	RK	
		MATERIAL	Q.A.	RK	
		FINISH	COMMENTS:		
NEXT ASSY	USED ON				SIZE DWG. NO.
APPLICATION		DO NOT SCALE DRAWING			SCALE: 1/10
					REV. 02
					SHEET 1 OF 1