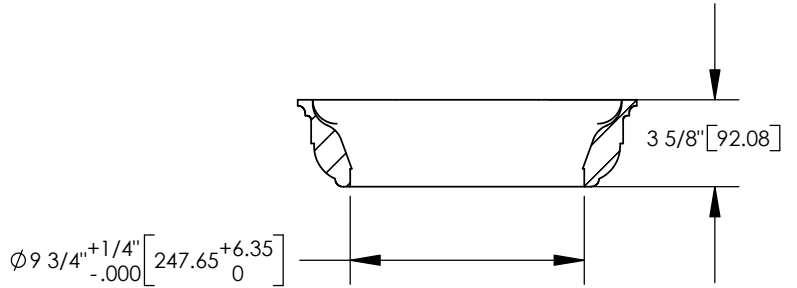
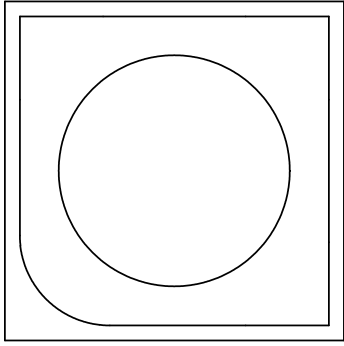
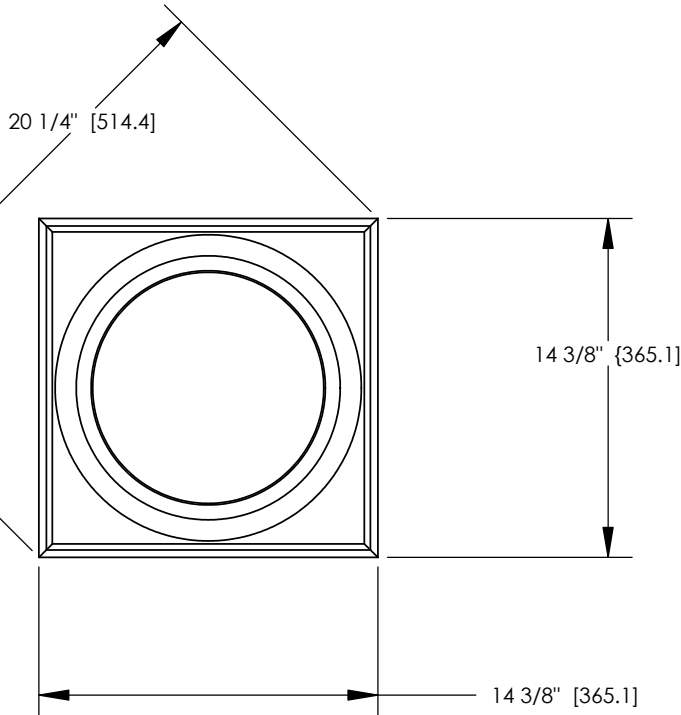
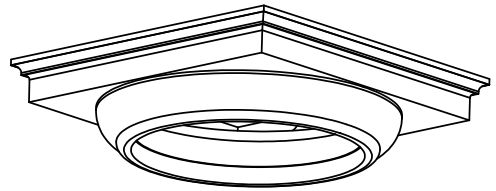
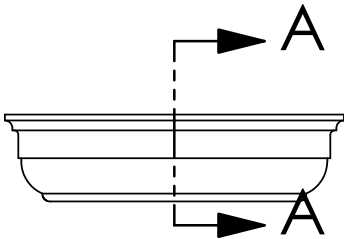


NOTES:

1. DIMENSIONS WITHIN THE PARENTHESES ARE METRIC UNITS (millimeters) or (Kg=Kilograms)
2. MATERIAL: FIBERGLASS REINFORCED POLYMER (FRP)
3. WEIGHT: 14 Lb. (6.4 Kg)



SECTION A-A
SCALE 1 : 8



ARCHITECTURAL
VIEW
SCALE: 1/25

Column & Post, Inc.™
8013 Purfoy Road
Fuquay-Varina, NC 27526
Tel: (919) 255-1533
Fax: (919) 255-1553
E-Mail: www.columnpost.com

		DIMENSIONS ARE IN INCHES (mm)		NAME	DATE	©COPYRIGHT Column & Post, Inc. 2002	
		TOLERANCES: FRACTIONAL ± 1/8" ANGULAR: MACH ± BEND ± TWO PLACE DECIMAL ± THREE PLACE DECIMAL ±		DRAWN	SOF		05/05/08
		MATERIAL		CHECKED	RK		
NEXT ASSY	USED ON	FINISH		ENG APPR.	RK		
APPLICATION		DO NOT SCALE DRAWING		MFG APPR.	RK		
				Q.A.	RK		
				COMMENTS:		DORIC 12 INCH CAP	
SIZE	DWG. NO.				REV.		
A					02		
				SCALE: 1/8	WEIGHT:	SHEET 1 OF 1	