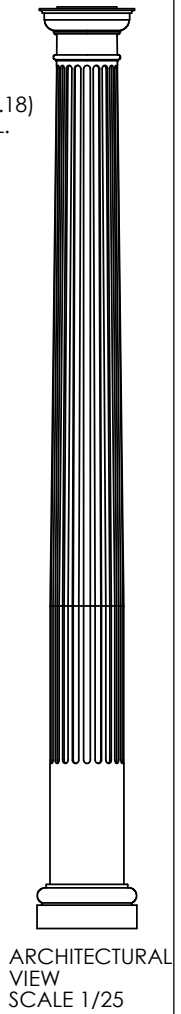
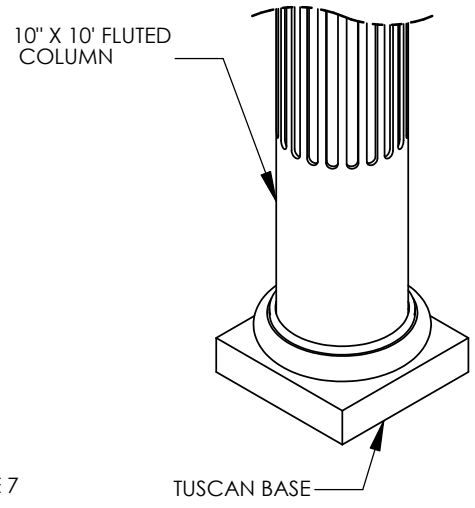
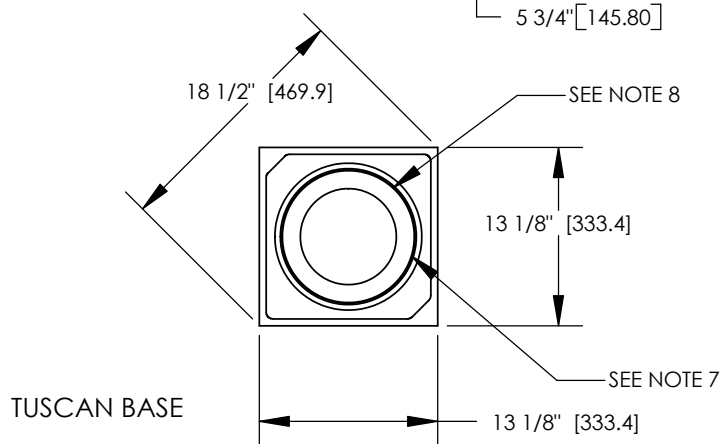
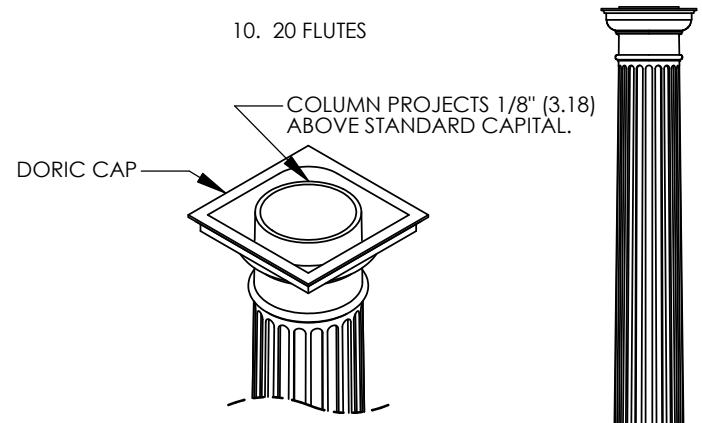
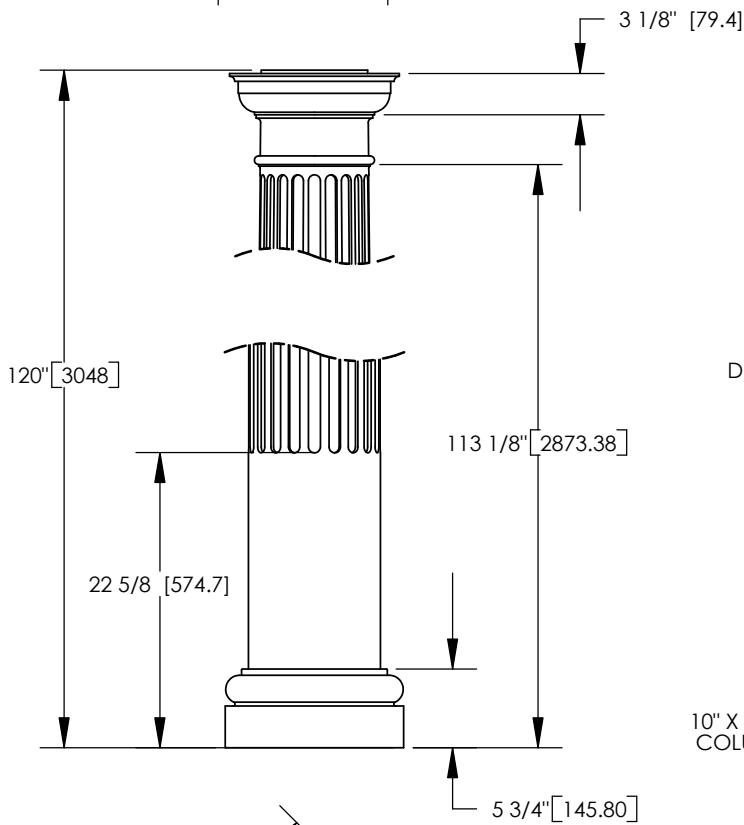


- NOTES:
1. DIMENSIONS WITHIN THE PARENTHESES ARE METRIC UNITS (millimeters) or (Kg=Kilograms)
 2. MATERIAL: FIBERGLASS REINFORCED POLYMER (FRP)
 3. WEIGHT. COLUMN: 118 Lb. (53.5 Kg)
CAP: 8 Lb. (3.6 Kg.)
BASE: 15 Lb. (6.8 Kg)
 4. MATERIAL THICKNESS. COLUMN: 3/8" (9.5)
 5. INSIDE DIAMETER AT TOP OF COLUMN: 6 1/4" (158.8)
 6. OUTSIDE DIAMETER AT TOP OF COLUMN: 7 1/2" (190.5)
 7. INSIDE DIAMETER AT BOTTOM OF COLUMN: 9.0" (228.6)
 8. OUTSIDE DIAMETER AT BOTTOM OF COLUMN: 9 5/8" (244.5)
 9. TAPER STARTS 32.0" (812.8) FROM BOTTOM OF COLUMN.
 10. 20 FLUTES



Column & Post, Inc.TM
8013 Purfoy Road
Fuquay-Varina, NC 27526
Tel: (919) 255-1533
Fax: (919) 255-1553
E-Mail: www.columnpost.com

		DIMENSIONS ARE IN INCHES (mm) TOLERANCES: FRACTIONAL: ± 1/8" ANGULAR: MACH ± BEND ± TWO PLACE DECIMAL ± THREE PLACE DECIMAL ±		NAME	DATE
			DRAWN	SOF	05/05/08
			CHECKED	RK	
			ENG APPR.	RK	
			MFG APPR.	RK	
		MATERIAL	Q.A.	RK	
		FINISH	COMMENTS:		
NEXT ASSY	USED ON				
APPLICATION	DO NOT SCALE DRAWING				

© COPYRIGHT Column & Post, Inc. 2002		
10" X 10' FLUTED COLUMN W/ DORIC CAP & TUSCAN BASE ASSEMBLY		
SIZE	DWG. NO.	REV.
A		02
SCALE: 1/14	WEIGHT:	SHEET 1 OF 1