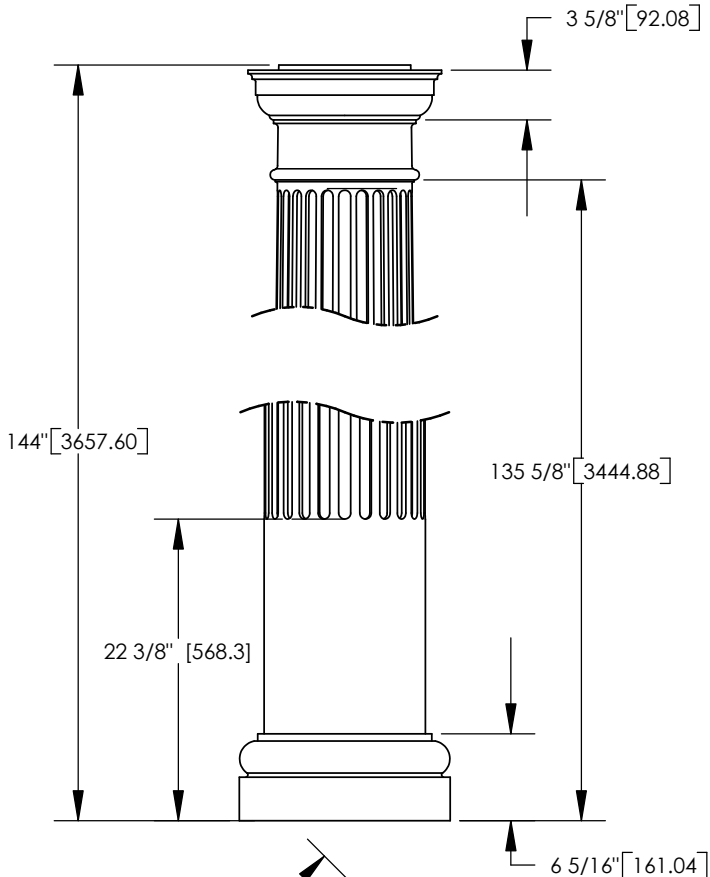
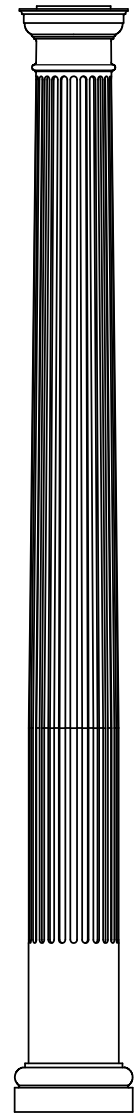
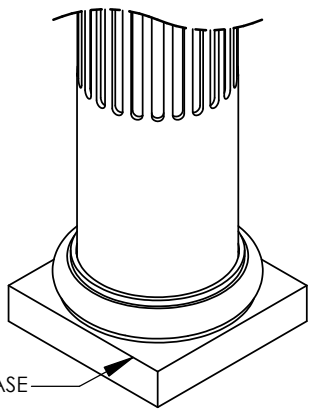
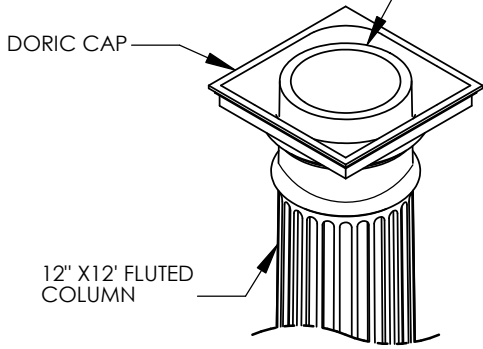


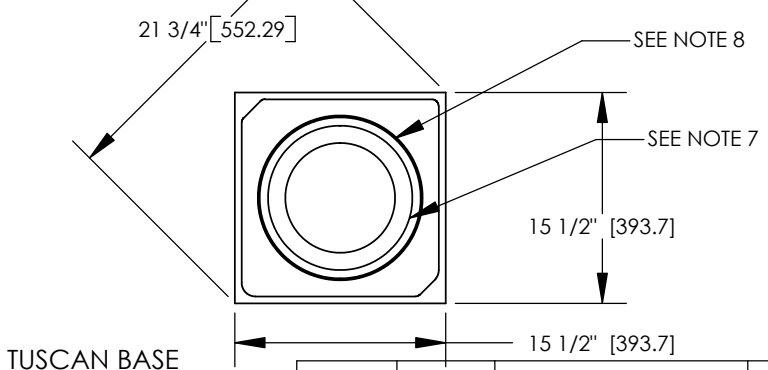
- NOTES:
1. DIMENSIONS WITHIN THE PARENTHESES ARE METRIC UNITS (millimeter) or (Kg=Kilograms)
 2. MATERIAL: FIBERGLASS REINFORCED POLYMER (FRP)
 3. WEIGHT. COLUMN: 150 Lb. (68.0 Kg)
CAP: 14 Lb. (6.4 Kg)
BASE: 17 Lb. (7.7 Kg)
 4. MATERIAL THICKNESS. COLUMN: 3/8" (9.5)
 5. INSIDE DIAMETER AT TOP OF COLUMN: 8 3/8" (212.7)
 6. OUTSIDE DIAMETER AT TOP OF COLUMN: 9 1/4" (235.0)
 7. INSIDE DIAMETER AT BOTTOM OF COLUMN: 10 5/8" (269.9)
 8. OUTSIDE DIAMETER AT BOTTOM OF COLUMN: 11 5/8" (295.3)
 9. TAPER STARTS 36.0" (914.4) FROM BOTTOM OF COLUMN.
 10. 24 FLUTES



COLUMN PROJECTS 1/4" (6.35) ABOVE STANDARD CAPITAL.



ARCHITECTURAL VIEW
SCALE 1/25



TUSCAN BASE

| | | | | | | | |
|-------------|--|--|--|-------------|------|---|----------|
| | | DIMENSIONS ARE IN INCHES (mm) TOLERANCES: FRACTIONAL ± 1/8" ANGULAR: MACH ± BEND ± TWO PLACE DECIMAL ± THREE PLACE DECIMAL ± | | NAME | DATE | © COPYRIGHT Column & Post, Inc. 2002 12"X 12 FLUTED COLUMN W / DORIC CAP & TUSCAN BASE ASSEMBLY | |
| | | MATERIAL | | DRAWN | SOF | | 05/05/08 |
| | | FINISH | | CHECKED | RK | | |
| NEXT ASSY | | USED ON | | ENG APPR. | RK | | |
| APPLICATION | | DO NOT SCALE DRAWING | | MFG APPR. | RK | | |
| | | | | COMMENTS: | | | |
| | | | | Q.A. | RK | | |
| | | | | | | SIZE DWG. NO. | |
| | | | | | | REV. 02 | |
| | | | | SCALE: 1/14 | | WEIGHT: | |
| | | | | | | SHEET 1 OF 1 | |

Column & Post, Inc.™
8013 Purfoy Road
Fuquay-Varina, NC 27526
Tel: (919) 255-1533
Fax: (919) 255-1553
E-Mail: www.columnpost.com