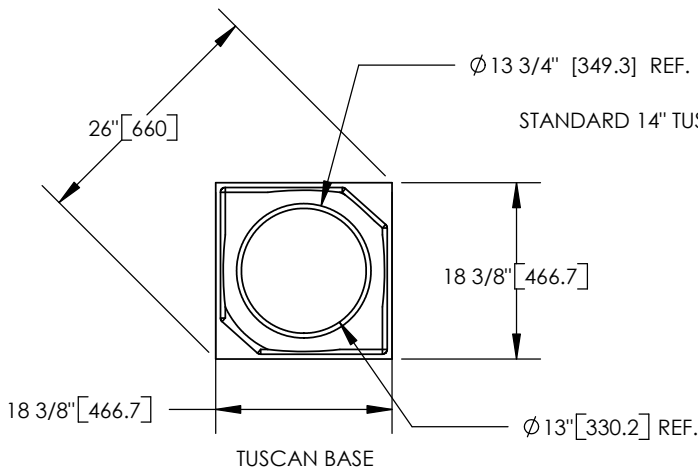
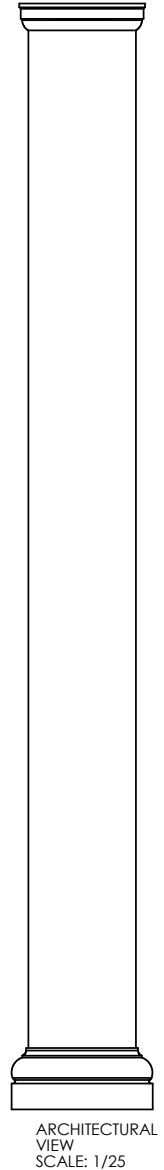
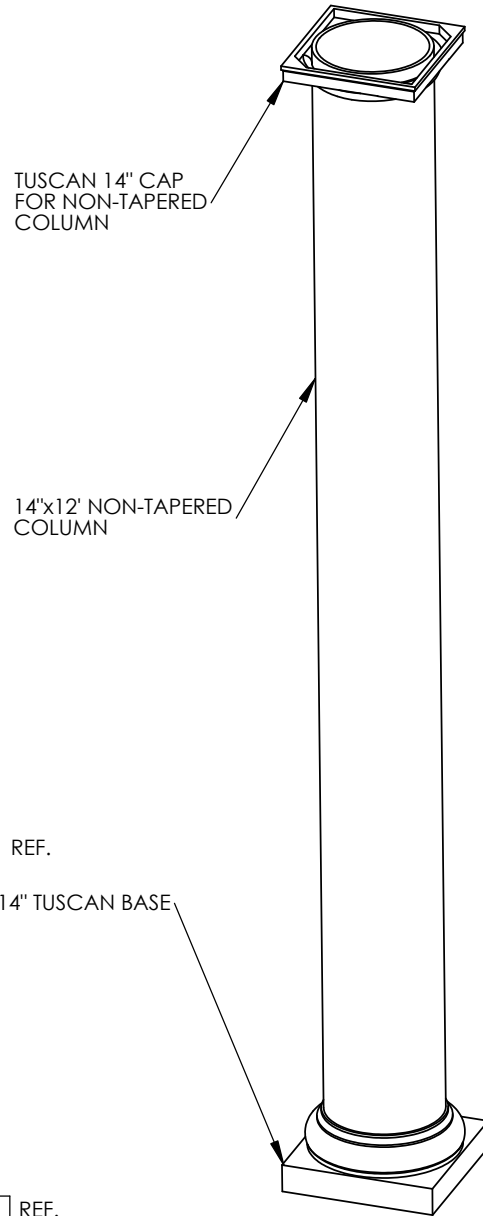
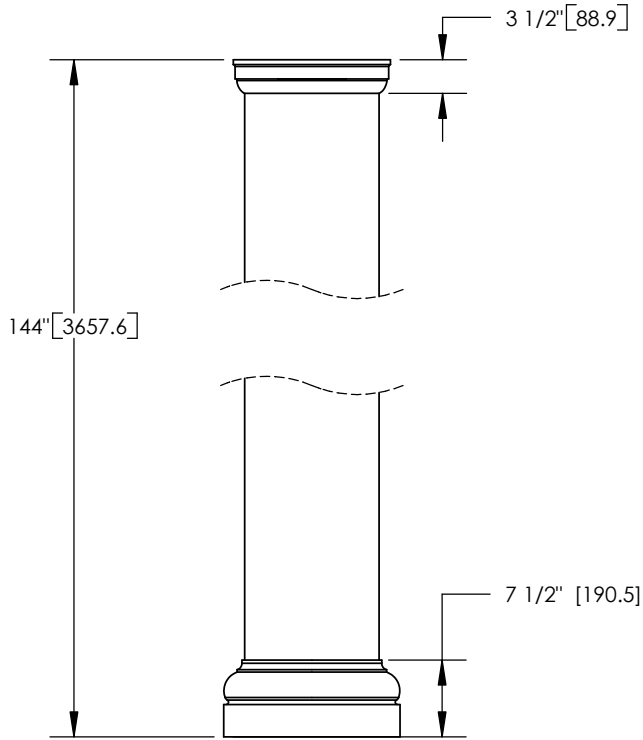


NOTES:

1. DIMENSIONS WITHIN THE PARENTHESES ARE METRIC UNITS (millimeters) OR (Kg=Kilograms)
2. MATERIAL: FIBERGLASS REINFORCED POLYMER (FRP)
3. WEIGHT. COLUMN:
CAP:
BASE:
4. MATERIAL THICKNESS: 3/8" (9.5)
5. MAXIMUM LOAD BEARING LIMITS: 20,000 Lb. (9072 Kg.)



COLUMN & POST, Inc.™
8013 Purfoy Road
Fuquay-Varina, NC 27526
Tel: (919) 255-1533
Fax: (919) 255-1553
E-Mail: www.columnpost.com

		DIMENSIONS ARE IN INCHES TOLERANCES: FRACTIONAL ± 1/8" ANGULAR: MACH ± BEND ± TWO PLACE DECIMAL ± THREE PLACE DECIMAL ±		NAME	DATE
			DRAWN	SOF	05/05/08
			CHECKED	RK	
			ENG APPR.	RK	
			MFG APPR.	RK	
		MATERIAL	COMMENTS:		
		FINISH			
NEXT ASSY	USED ON				
APPLICATION		DO NOT SCALE DRAWING			

	NAME	DATE
	SOF	05/05/08
	RK	
	RK	
	RK	
	RK	

©COPYRIGHT Column & Post, Inc. 2002		
14"x 12' TUSCAN NON-TAPERED COLUMN ASSEMBLY		
SIZE A	DWG. NO.	REV. 02
SCALE: 1:18		SHEET 1 OF 1