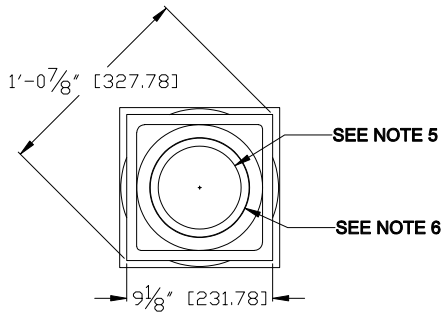
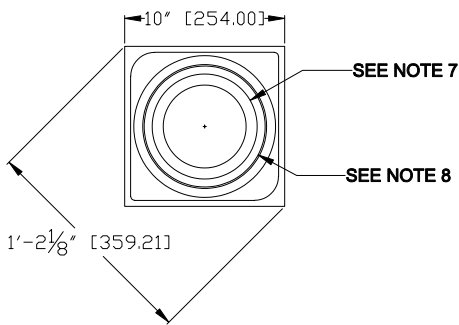
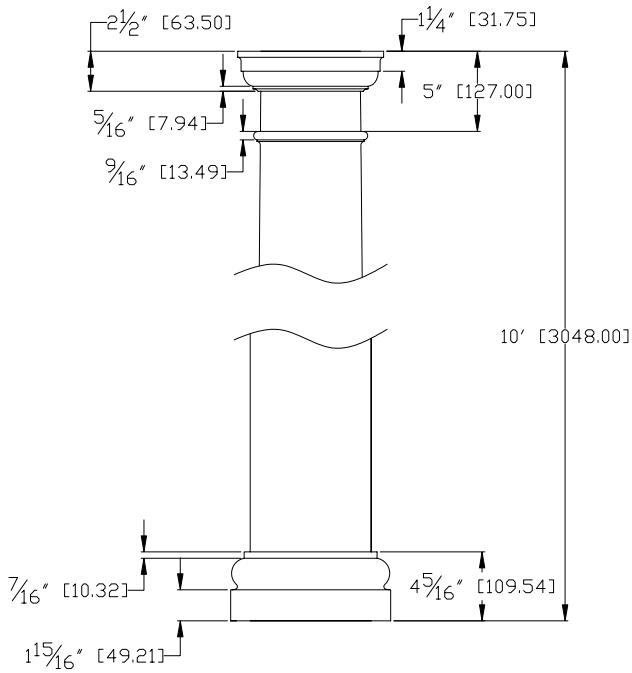


NOTES:

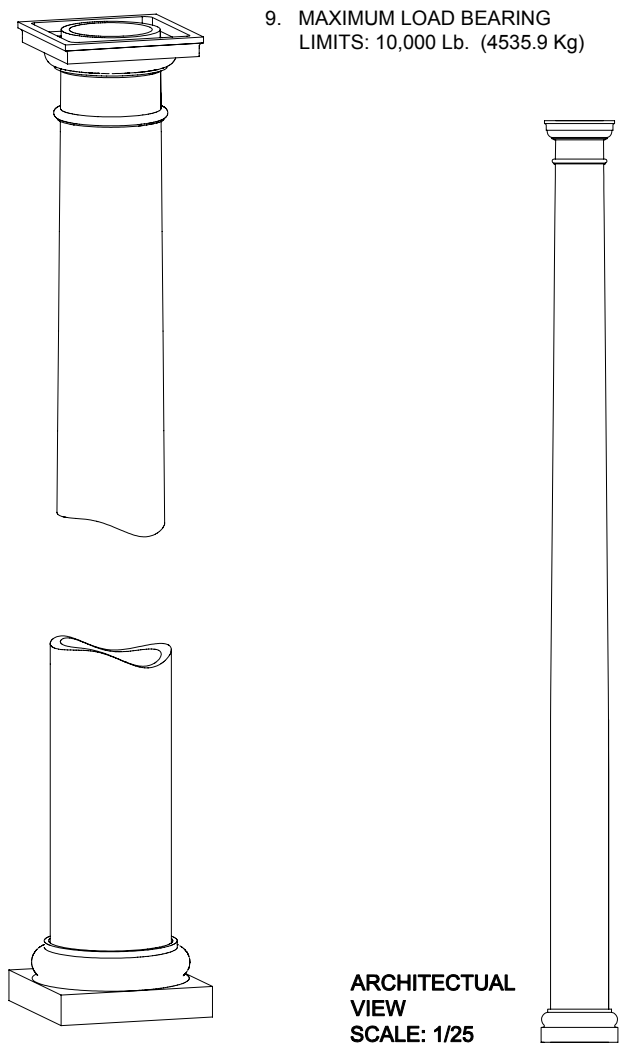
1. DIMENSIONS WITHIN THE PARENTHESES ARE METRIC UNITS (millimeters) or (Kg=Kilograms)
2. MATERIAL: FIBERGLASS REINFORCED POLYMER (FRP)
3. WEIGHT: POST: ? LBS. [?]
4. MATERIAL THICKNESS. POST: 1/2" [12.7]
5. INSIDE DIAMETER AT TOP OF POST: 5 3/16" [131.76]
6. OUTSIDE DIAMETER AT TOP OF POST: 6 3/16" [157.16]
7. INSIDE DIAMETER AT BOTTOM OF POST: 6 9/16" [166.69]
8. OUTSIDE DIAMETER AT BOTTOM OF POST: 7 9/16" [192.09]
9. MAXIMUM LOAD BEARING LIMITS: 10,000 Lb. (4535.9 Kg)



TUSCAN DROP-DOWN CAP



TUSCAN DROP-DOWN CAP



Column & Post, Inc.™
 8013 Purfoy Rd.
 Fuquay-Varina, NC 27526
 Tel: (919) 255-1533
 Fax: (919) 255-1553
 E-mail: david@columnpost.com

		DIMENSIONS ARE IN INCHES (mm)		NAME		DATE	
		TOLERANCES:		DRAWN		NAK	
		FRACTIONAL ± 1/8"		CHECKED			
		ANGULAR: MACH±		ENG APPR.			
		BEND±		MFG APPR.			
		2 PLACE DECIMAL±		Q.A.			
		THREE PLACE DECIMAL±					
		MATERIAL					
		FINISH					
NEXT ASSY		USED ON					
APPLICATION		DO NOT SCALE DRAWING					

©COPYRIGHT
 Column & Post, Inc. 2008

8" x 10' Tuscan Round Drop-Down Assembly

SIZE	DWG. NO.	REV.
A		01
SCALE: 1/12	WEIGHT:	SHEET 1 OF 1