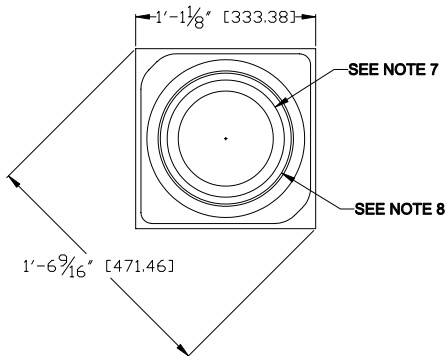
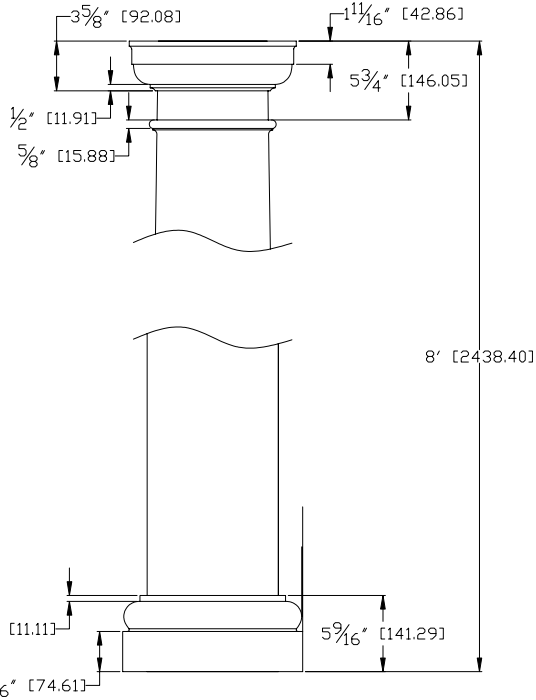
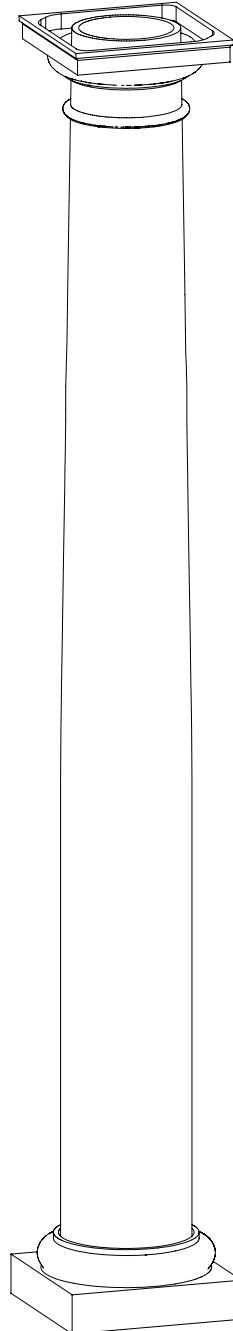


TUSCAN DROP-DOWN CAP



TUSCAN DROP-DOWN BASE



**ARCHITECTURAL VIEW
SCALE: 1/25**

NOTES:

1. DIMENSIONS WITHIN THE PARENTHESES ARE METRIC UNITS (millimeters) or (Kg=Kilograms)
2. MATERIAL: FIBERGLASS REINFORCED POLYMER (FRP)
3. WEIGHT: POST: ? LBS. [?]
4. MATERIAL THICKNESS. POST: 1/2" [12.7]
5. INSIDE DIAMETER AT TOP OF POST: 6 15/16" [176.21]
6. OUTSIDE DIAMETER AT TOP OF POST: 7 15/16" [201.61]
7. INSIDE DIAMETER AT BOTTOM OF POST: 8 9/16" [217.49]
8. OUTSIDE DIAMETER AT BOTTOM OF POST: 9 9/16" [242.89]
9. MAXIMUM LOAD BEARING LIMITS: 10,000 Lb. (4535.9 Kg)

Column & Post, Inc.™
8013 Purfoy Rd.
Fuquay-Varina, NC 27526
Tel: (919) 255-1533
Fax: (919) 255-1553
E-mail: david@columnpost.com

		DIMENSIONS ARE IN INCHES (mm)	
		TOLERANCES: FRACTIONAL ± 1/8"	
		ANGULAR: MACH±	
		BEND±	
		2 PLACE DECIMAL±	
		THREE PLACE DECIMAL±	
		MATERIAL	
		FINISH	
NEXT ASSY	USED ON		
APPLICATION	DO NOT SCALE DRAWING		

	NAME	DATE
DRAWN	NAK	
CHECKED		
ENG APPR.		
MFG APPR.		
Q.A.		

©COPYRIGHT
Column & Post, Inc. 2008

**10" x 8' Tuscan Round
Drop-Down Assembly**

SIZE	DWG. NO.	REV.
A		01
SCALE: 1/14	WEIGHT:	SHEET 1 OF 1