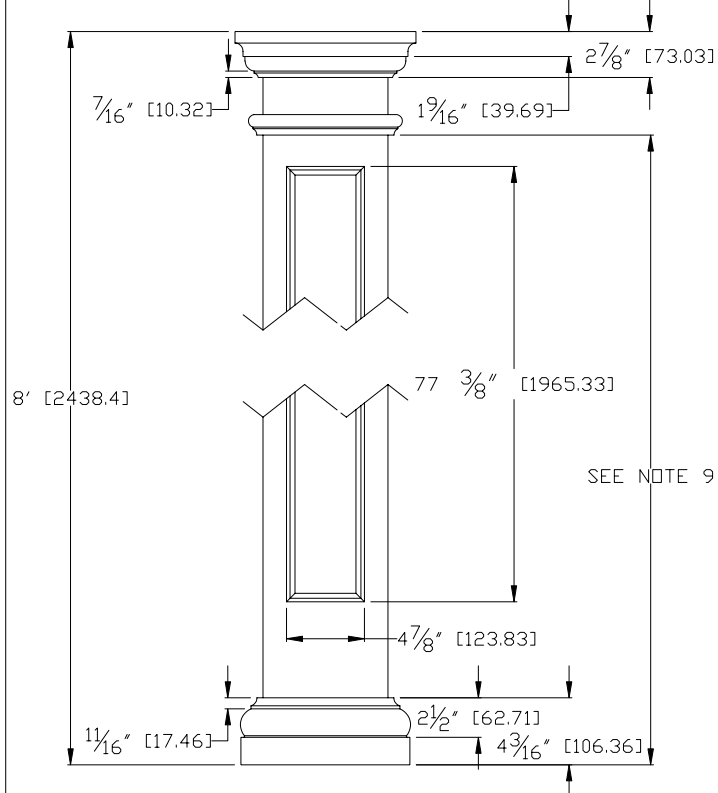
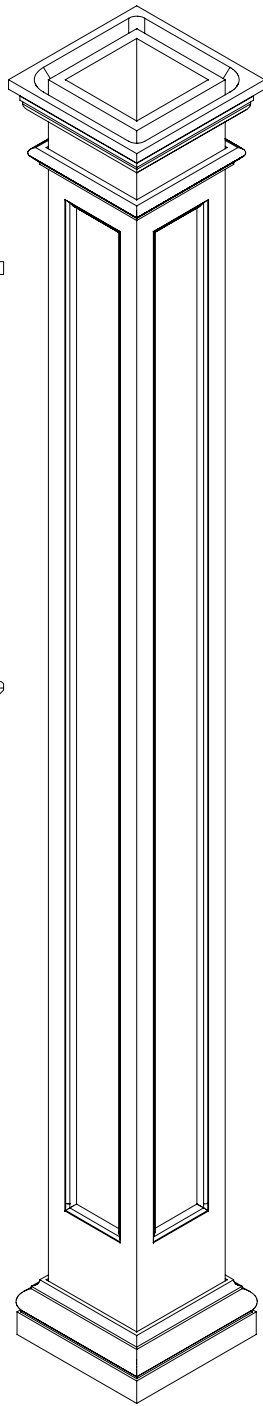
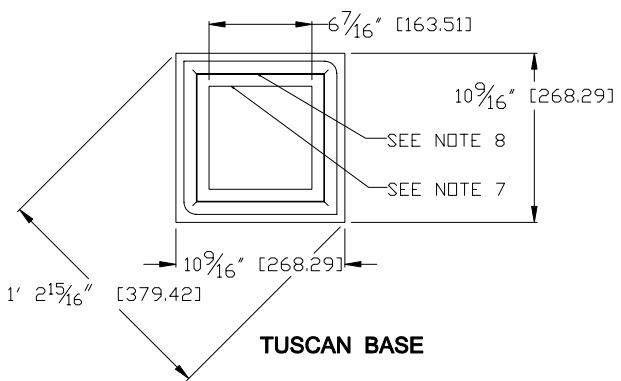


TUSCAN DROP-DOWN CAP



TUSCAN BASE



ARCHITECTURAL VIEW
SCALE: 1/25

- NOTES:**
1. DIMENSIONS WITHIN THE PARENTHESES ARE METRIC UNITS (millimeters) or (Kg=Kilograms)
 2. MATERIAL: FIBERGLASS REINFORCED POLYMER (FRP)
 3. WEIGHT: POST: 97.4 lbs. [44.17]
CAP: 4.8 lbs. [2.18]
BASE: 6.45 lbs. [2.93]
NECKRING: 1.75 lbs. [0.79]
 4. MATERIAL THICKNESS.
POST: 3/4" [19.05]
 5. INSIDE DIAMETER AT TOP OF POST: 6 7/16" [163.51]
 6. OUTSIDE DIAMETER AT TOP OF POST: 7 15/16" [201.61]
 7. INSIDE DIAMETER AT BOTTOM OF POST: 6 7/16" [163.51]
 8. OUTSIDE DIAMETER AT BOTOM OF POST: 7 15/16" [201.61]
 9. PLACEMENT OF NECKRING TO BE DETERMINED BY CUSTOMER.
 10. MAXIMUM LOAD BEARING LIMITS: 10,000 Lb. (4535.9 Kg)

Column & Post, Inc.™
8013 Purfoy Rd.
Fuquay-Varina, NC 27526
Tel: (919) 255-1533
Fax: (919) 255-1553
E-mail: david@columnpost.com

		DIMENSIONS ARE IN INCHES (mm)	
		TOLERANCES: FRACTIONAL ± 1/8"	
		ANGULAR: MACH±	
		BEND±	
		2 PLACE DECIMAL±	
		THREE PLACE DECIMAL±	
		MATERIAL	
		FINISH	
NEXT ASSY	USED ON		
APPLICATION	DO NOT SCALE DRAWING		

	NAME	DATE
DRAWN	NAK	
CHECKED		
ENG APPR.		
MFG APPR.		
	Q.A.	

©COPYRIGHT Column & Post, Inc. 2008	
8" X 8' Square Drop-Down Recessed Panel Assembly	
SIZE DWG. NO.	REV.
A	01
SCALE: 1/12	WEIGHT:
SHEET 1 OF 1	