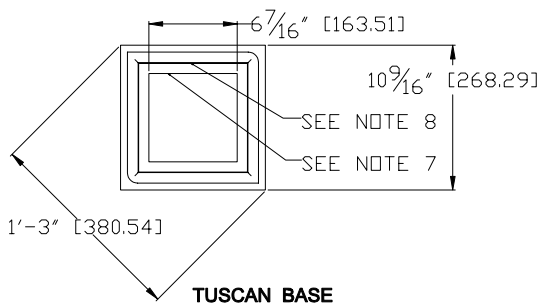
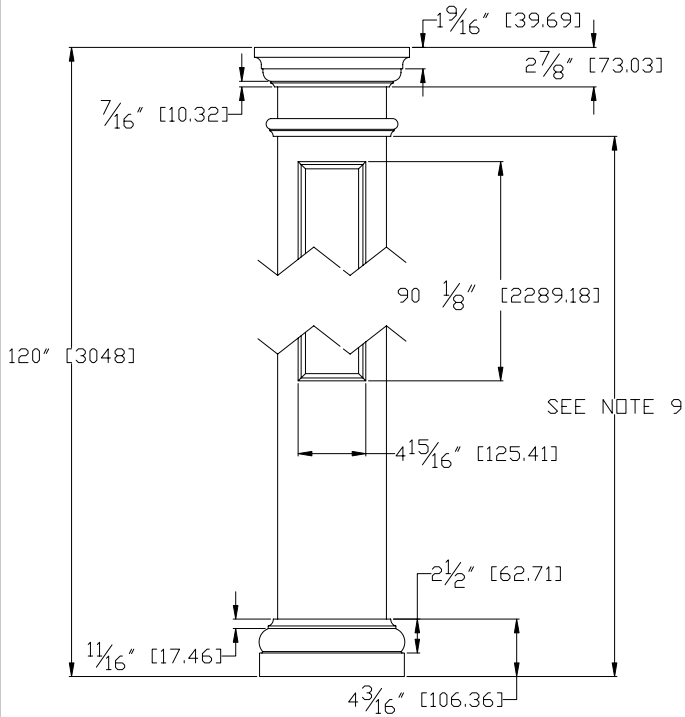
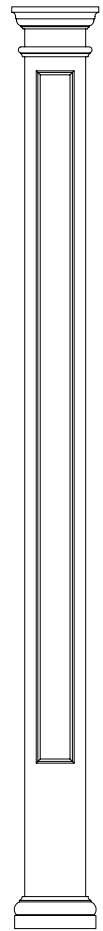
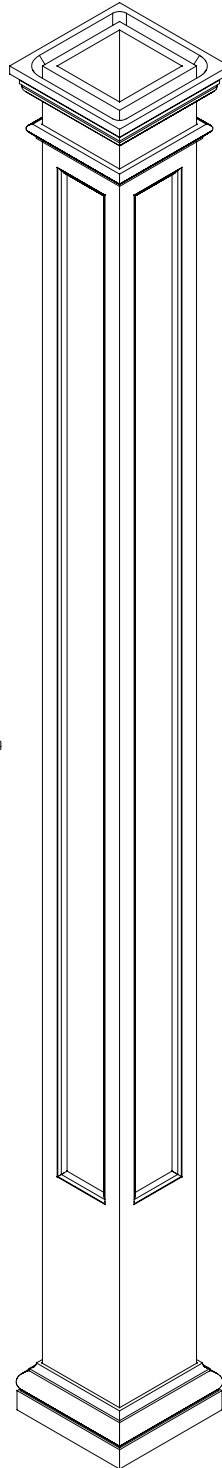


TUSCAN DROP-DOWN CAP



TUSCAN BASE



**ARCHITECTURAL VIEW
SCALE: 1/25**

NOTES:

1. DIMENSIONS WITHIN THE PARENTHESES ARE METRIC UNITS (millimeters) or (Kg=Kilograms)
2. MATERIAL: FIBERGLASS REINFORCED POLYMER (FRP)
3. WEIGHT: POST: 120 lbs. [54.43]
CAP: 4.8 lbs. [2.18]
BASE: 6.45 lbs. [2.93]
NECKRING: 1.75 lbs. [0.79]
4. MATERIAL THICKNESS.
POST: 3/4" [19.05]
5. INSIDE DIAMETER AT TOP OF POST: 6 7/16" [163.51]
6. OUTSIDE DIAMETER AT TOP OF POST: 7 15/16" [201.61]
7. INSIDE DIAMETER AT BOTTOM OF POST: 6 7/16" [163.51]
8. OUTSIDE DIAMETER AT BOTOM OF POST: 7 15/16" [201.61]
9. PLACEMENT OF COLLYRIUM TO BE DETERMINED BY CUSTOMER.
10. MAXIMUM LOAD BEARING LIMITS: 10,000 Lb. (4535.9 Kg)

Column & Post, Inc.™
8013 Purfoy Rd.
Fuquay-Varina, NC 27526
Tel: (919) 255-1533
Fax: (919) 255-1553
E-mail: david@columnpost.com

		DIMENSIONS ARE IN INCHES (mm)	
		TOLERANCES: FRACTIONAL ± 1/8" ANGULAR: MACH± BEND± 2 PLACE DECIMAL± THREE PLACE DECIMAL±	
		MATERIAL	
		FINISH	
NEXT ASSY	USED ON		
APPLICATION		DO NOT SCALE DRAWING	

	NAME	DATE
DRAWN	NAK	
CHECKED		
ENG APPR.		
MFG APPR.		
	Q.A.	

©COPYRIGHT
Column & Post, Inc. 2008

**8" X 10' Square Drop-Down
Recessed Panel Assembly**

SIZE	DWG. NO.	REV.
A		01
SCALE: 1/14	WEIGHT:	SHEET 1 OF 1