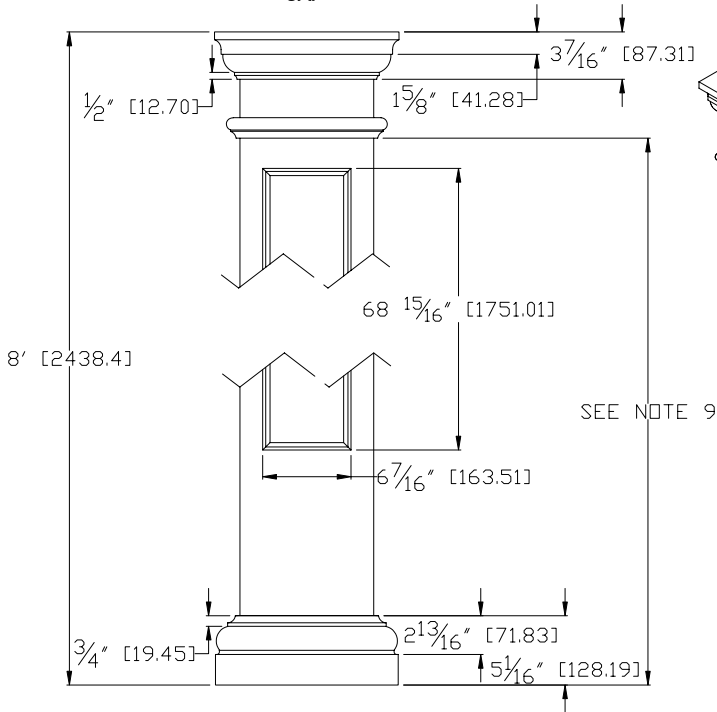
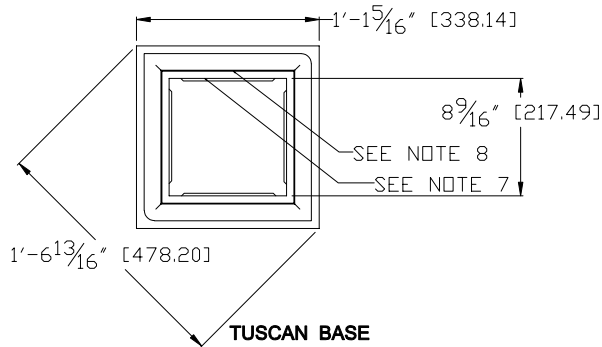


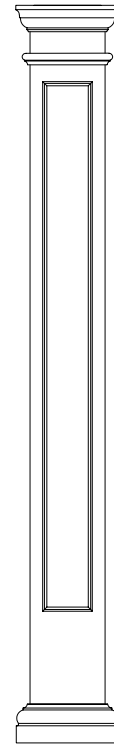
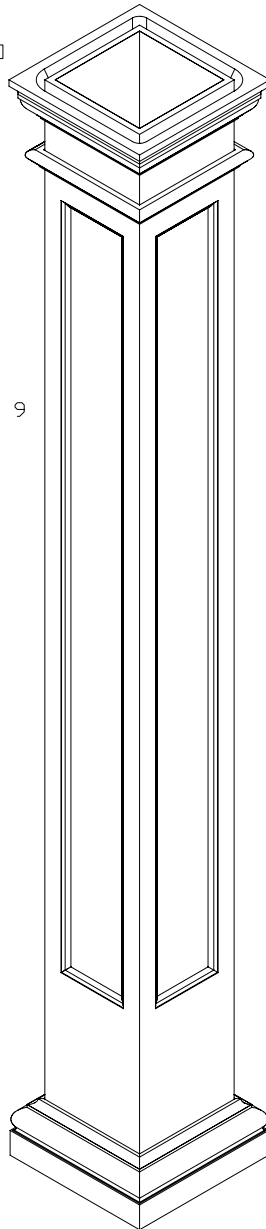
**TUSCAN DROP-DOWN CAP**



SEE NOTE 9



**TUSCAN BASE**



**ARCHITECTURAL VIEW  
SCALE: 1/25**

**NOTES:**

1. DIMENSIONS WITHIN THE PARENTHESES ARE METRIC UNITS (millimeters) or (Kg=Kilograms)
2. MATERIAL: FIBERGLASS REINFORCED POLYMER (FRP)
3. WEIGHT: POST: 148.4 lbs. [67.31]  
CAP: 7.6 lbs. [3.45]  
BASE: 9.6 lbs. [4.35]  
COLLYRIUM: 2.6 lbs. [1.18]
4. MATERIAL THICKNESS.  
POST: 3/4" [19.05]
5. INSIDE DIAMETER AT TOP OF POST: 8 11/16" [220.66]
6. OUTSIDE DIAMETER AT TOP OF POST: 9 3/4" [247.65]
7. INSIDE DIAMETER AT BOTTOM OF POST: 8 11/16" [220.66]
8. OUTSIDE DIAMETER AT BOTOM OF POST: 9 3/4" [247.65]
9. PLACEMENT OF NECKRING TO BE DETERMINED BY CUSTOMER.
10. MAXIMUM LOAD BEARING LIMITS: 10,000 Lb. (4535.9 Kg)

Column & Post, Inc.™  
8013 Purfoy Rd.  
Fuquay-Varina, NC 27526  
Tel: (919) 255-1533  
Fax: (919) 255-1553  
E-mail: david@columnpost.com

|             |         |   |  |           |      |
|-------------|---------|---|--|-----------|------|
|             |         | DIMENSIONS ARE IN INCHES (mm)   |  | NAME      | DATE |
|             |         | TOLERANCES:<br>FRACTIONAL ± 1/8"<br>ANGULAR: MACH±<br>BEND±<br>2 PLACE DECIMAL±<br>THREE PLACE DECIMAL± |  | DRAWN     | NAK  |
|             |         | MATERIAL  |  | CHECKED   |      |
|             |         | FINISH  |  | ENG APPR. |      |
| NEXT ASSY   | USED ON |   |  | MFG APPR. |      |
| APPLICATION |         | DO NOT SCALE DRAWING  |  | Q.A.      |      |

©COPYRIGHT  
Column & Post, Inc. 2008

**10" X 8' Square Drop-Down Recessed Panel Assembly**

|             |          |              |
|-------------|----------|--------------|
| SIZE        | DWG. NO. | REV.         |
| <b>A</b>    |          | 01           |
| SCALE: 1/14 | WEIGHT:  | SHEET 1 OF 1 |