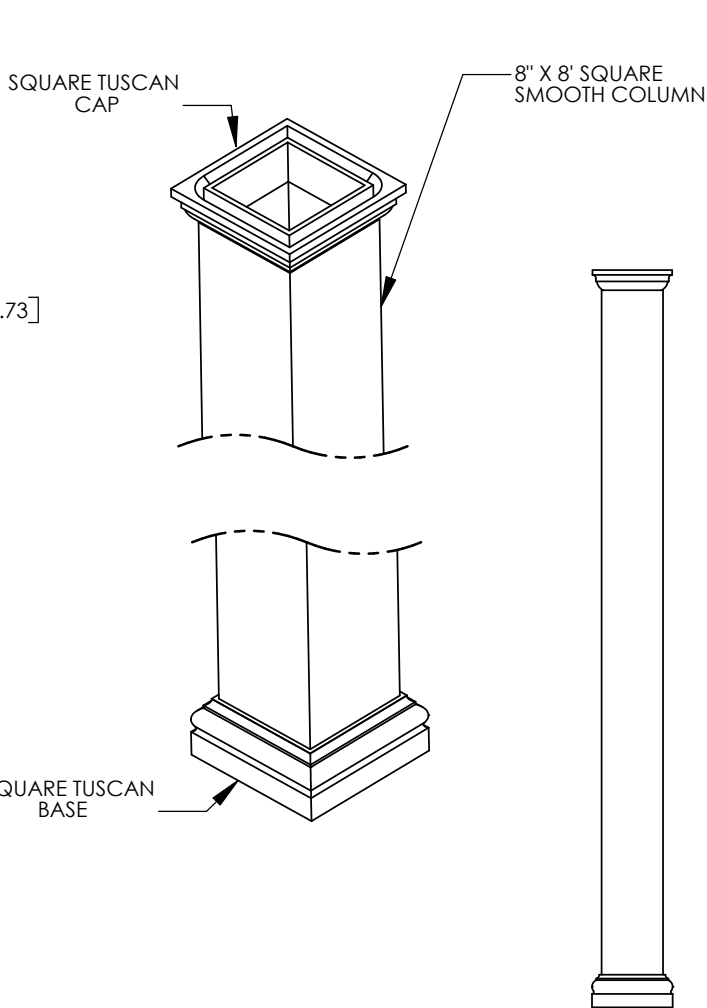
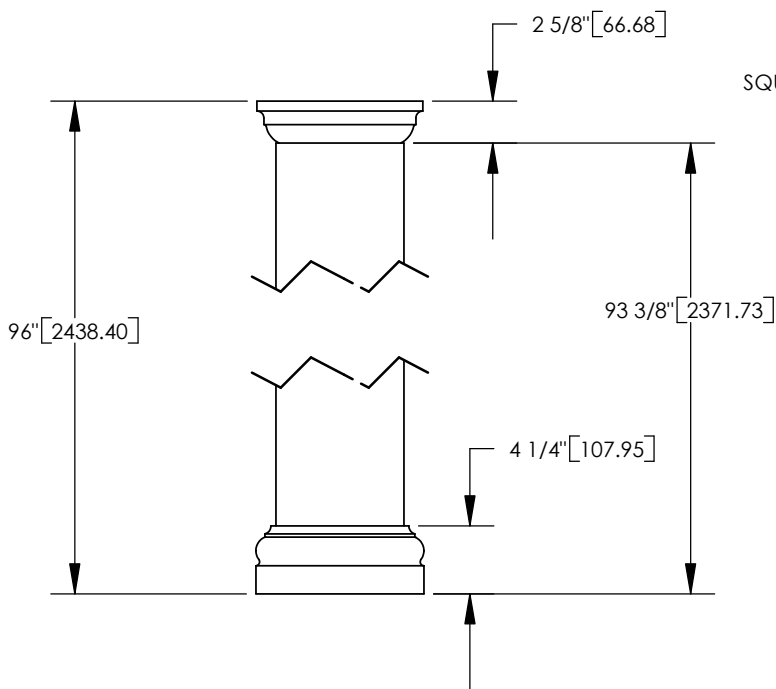
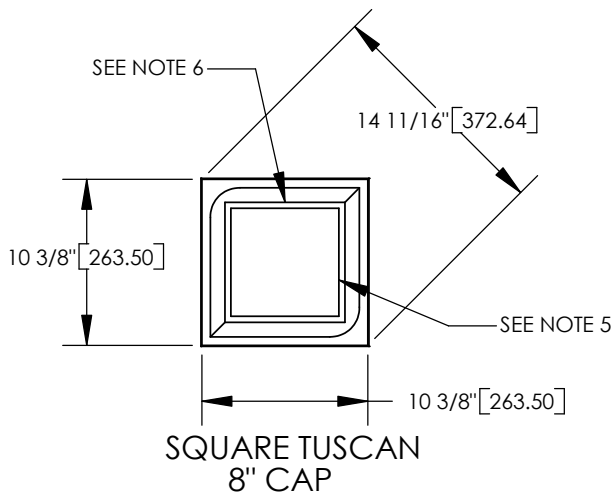


NOTES:

1. DIMENSIONS WITHIN THE PARENTHESES ARE METRIC UNITS (millimeters) or (Kg=Kilograms)
2. MATERIAL: FIBERGLASS REINFORCED POLYMER (FRP)
3. WEIGHT. COLUMN:  
CAP:  
BASE:
4. MATERIAL THICKNESS.  
COLUMN: 3/8" (9.5)
5. INSIDE DIMENSION AT TOP OF COLUMN: 6 3/4" (171.5)
6. OUTSIDE DIMENSION AT TOP OF COLUMN: 7 1/2" (190.5)
7. INSIDE DIMENSION AT BOTTOM OF COLUMN: 7 1/4" (184.2)
8. OUTSIDE DIMENSION AT BOTTOM OF COLUMN: 8" (203.2)



ARCHITECTURAL  
VIEW  
SCALE 1/25

Column & Post, Inc.<sup>TM</sup>  
8013 Purfoy Road  
Fuquay-Varina, NC 27526  
Tel: (919) 255-1533  
Fax: (919) 255-1553  
E-Mail: www.columnpost.com

|             |         |   |          |  |  |  |
|-------------|---------|---|----------|--|--|--|
|             |         | DIMENSIONS ARE IN INCHES (mm)<br>TOLERANCES:<br>FRACTIONAL: ± 1/4"<br>ANGULAR: MACH ±<br>BEND ±<br>TWO PLACE DECIMAL ±<br>THREE PLACE DECIMAL ± |          |  |  |  |
|             |         |   | MATERIAL |  |  |  |
|             |         |   | FINISH   |  |  |  |
| NEXT ASSY   | USED ON |   |          |  |  |  |
| APPLICATION |         | DO NOT SCALE DRAWING  |          |  |  |  |

|           |      |          |
|-----------|------|----------|
|           | NAME | DATE     |
| DRAWN     | SOF  | 05/05/08 |
| CHECKED   | RK   |          |
| ENG APPR. | RK   |          |
| MFG APPR. | RK   |          |
| Q.A.      | RK   |          |
| COMMENTS: |      |          |

|   |          |                   |
|---|----------|-------------------|
| ©COPYRIGHT<br>Column & Post, Inc. 2002                      |          |                   |
| <b>8" X 8' TUSCAN SQUARE<br/>SMOOTH COLUMN<br/>ASSEMBLY</b> |          |                   |
| SIZE<br><b>A</b>  | DWG. NO. | REV.<br><b>02</b> |
| SCALE: 1/12   WEIGHT:                                       |          | SHEET 1 OF 1      |