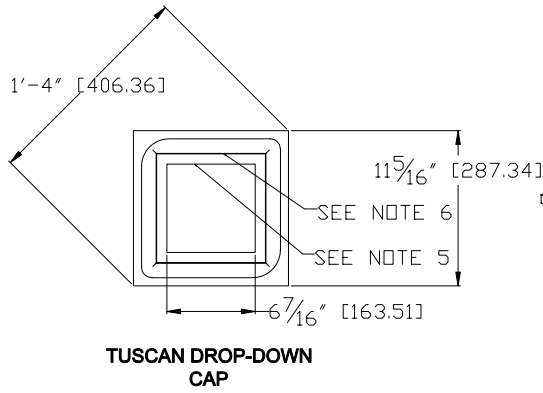
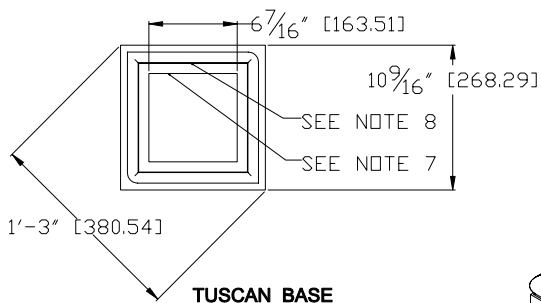
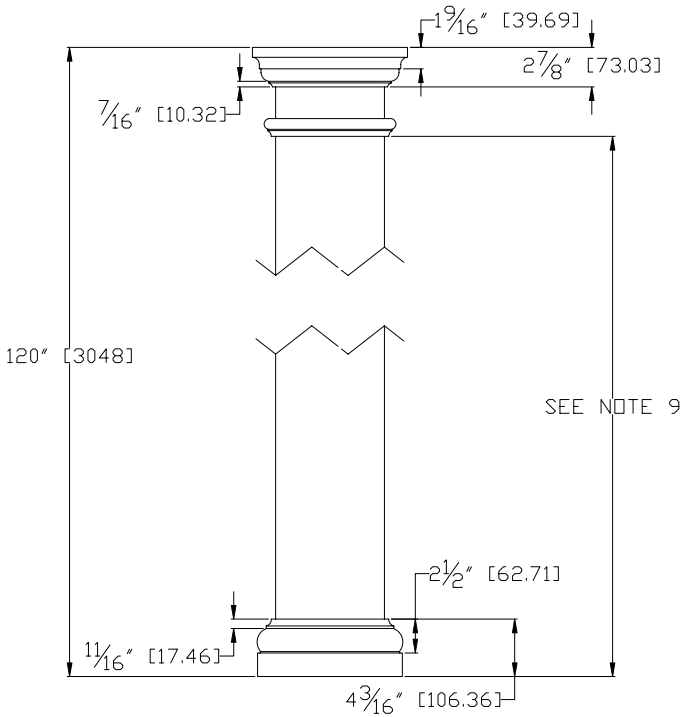


NOTES:

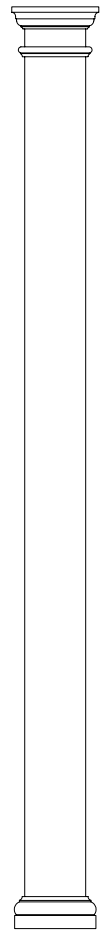
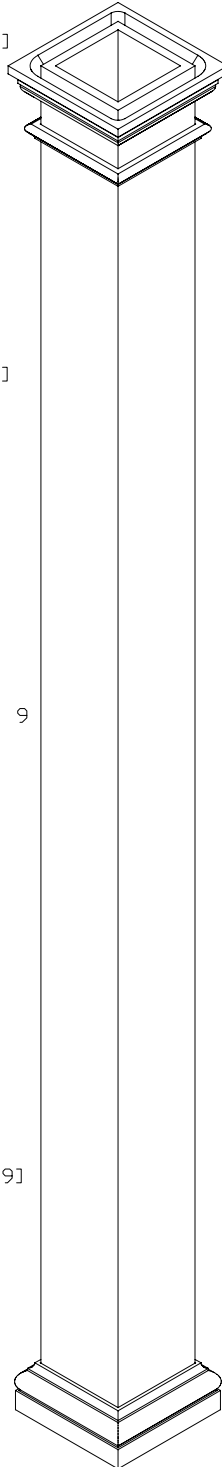
1. DIMENSIONS WITHIN THE PARENTHESES ARE METRIC UNITS (millimeters) or (Kg=Kilograms)
2. MATERIAL: FIBERGLASS REINFORCED POLYMER (FRP)
3. WEIGHT: POST: 105.55 lbs. [48.88]
CAP: 4.8 lbs. [2.18]
BASE: 6.45 lbs. [2.93]
NECKRING: 1.75 lbs. [0.79]
4. MATERIAL THICKNESS.
POST: 3/4" [19.05]
5. INSIDE DIAMETER AT TOP OF POST: 6 7/16" [163.51]
6. OUTSIDE DIAMETER AT TOP OF POST: 7 15/16" [201.61]
7. INSIDE DIAMETER AT BOTTOM OF POST: 6 7/16" [163.51]
8. OUTSIDE DIAMETER AT BOTOM OF POST: 7 15/16" [201.61]
9. PLACEMENT OF COLLYRIUM TO BE DETERMINED BY CUSTOMER.
10. MAXIMUM LOAD BEARING LIMITS: 10,000 Lb. (4535.9 Kg)



TUSCAN DROP-DOWN CAP



TUSCAN BASE



**ARCHITECTURAL VIEW
SCALE: 1/25**

Column & Post, Inc.™
8013 Purfoy Rd.
Fuquay-Varina, NC 27526
Tel: (919) 255-1533
Fax: (919) 255-1553
E-mail: david@columnpost.com

		DIMENSIONS ARE IN INCHES (mm)	
		TOLERANCES: FRACTIONAL ± 1/8"	
		ANGULAR: MACH±	
		BEND±	
		2 PLACE DECIMAL±	
		THREE PLACE DECIMAL±	
		MATERIAL	
		FINISH	
NEXT ASSY	USED ON		
APPLICATION	DO NOT SCALE DRAWING		

	NAME	DATE
DRAWN	NAK	
CHECKED		
ENG APPR.		
MFG APPR.		
Q.A.		

©COPYRIGHT Column & Post, Inc. 2008	
8" X 10' Square Drop-Down Assembly	
SIZE DWG. NO.	REV.
A	01
SCALE: 1/14	WEIGHT:
SHEET 1 OF 1	