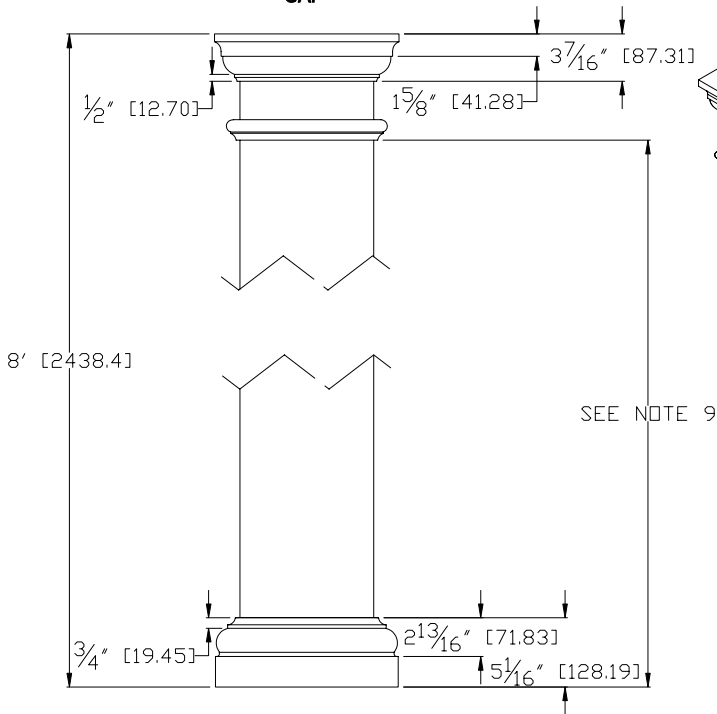
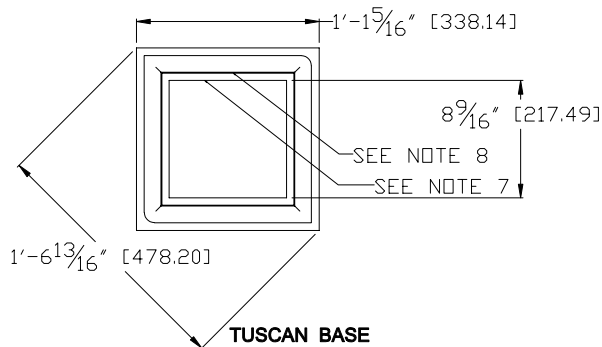


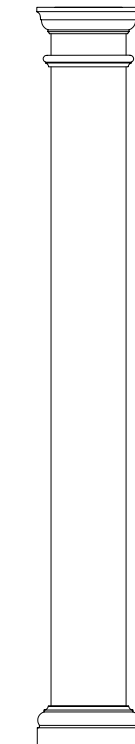
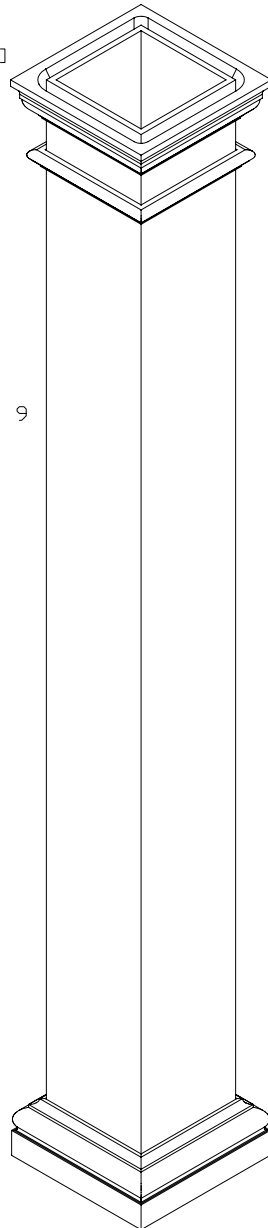
**TUSCAN DROP-DOWN CAP**



SEE NOTE 9



**TUSCAN BASE**



**ARCHITECTURAL VIEW  
SCALE: 1/25**

**NOTES:**

1. DIMENSIONS WITHIN THE PARENTHESES ARE METRIC UNITS (millimeters) or (Kg=Kilograms)
2. MATERIAL: FIBERGLASS REINFORCED POLYMER (FRP)
3. WEIGHT: POST: 109.6 lbs. [49.71]  
CAP: 7.6 lbs. [3.45]  
BASE: 9.6 lbs. [4.35]  
NECKRING: 2.6 lbs. [1.18]
4. MATERIAL THICKNESS.  
POST: 3/4" [19.05]
5. INSIDE DIAMETER AT TOP OF POST: 8 11/16" [220.66]
6. OUTSIDE DIAMETER AT TOP OF POST: 9 3/4" [247.65]
7. INSIDE DIAMETER AT BOTTOM OF POST: 8 11/16" [220.66]
8. OUTSIDE DIAMETER AT BOTOM OF POST: 9 3/4" [247.65]
9. PLACEMENT OF NECKRING TO BE DETERMINED BY CUSTOMER.
10. MAXIMUM LOAD BEARING LIMITS: 10,000 Lb. (4535.9 Kg)

Column & Post, Inc.™  
8013 Purfoy Rd.  
Fuquay-Varina, NC 27526  
Tel: (919) 255-1533  
Fax: (919) 255-1553  
E-mail: david@columnpost.com

		DIMENSIONS ARE IN INCHES (mm)		NAME	DATE
		TOLERANCES: FRACTIONAL ± 1/8" ANGULAR: MACH± BEND± 2 PLACE DECIMAL± THREE PLACE DECIMAL±		DRAWN	NAK
		MATERIAL		CHECKED	
		FINISH		ENG APPR.	
NEXT ASSY	USED ON			MFG APPR.	
APPLICATION		DO NOT SCALE DRAWING		Q.A.	

©COPYRIGHT  
Column & Post, Inc. 2008

**10" X 8' Square Drop-Down Assembly**

SIZE	DWG. NO.	REV.
<b>A</b>		01
SCALE: 1/14	WEIGHT:	SHEET 1 OF 1