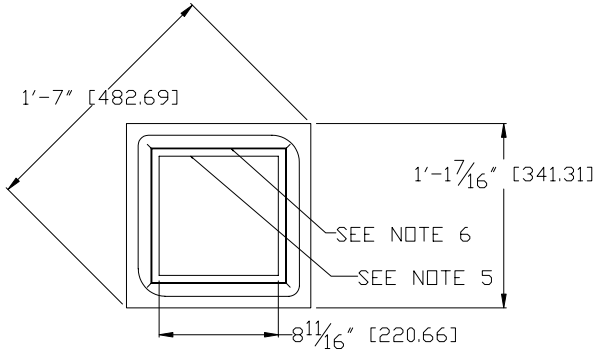
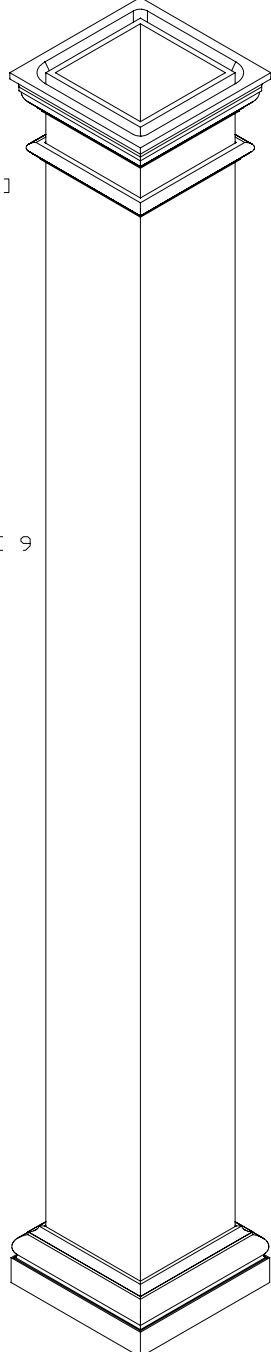
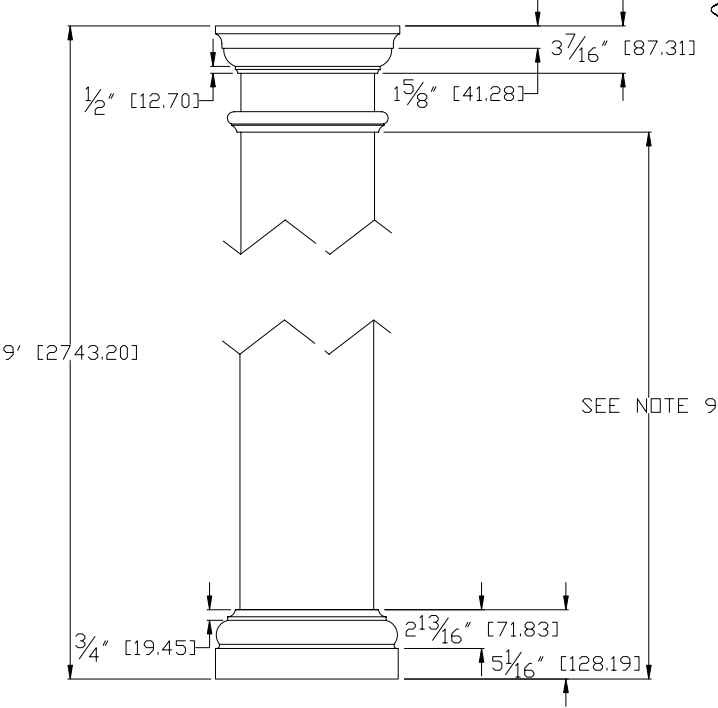


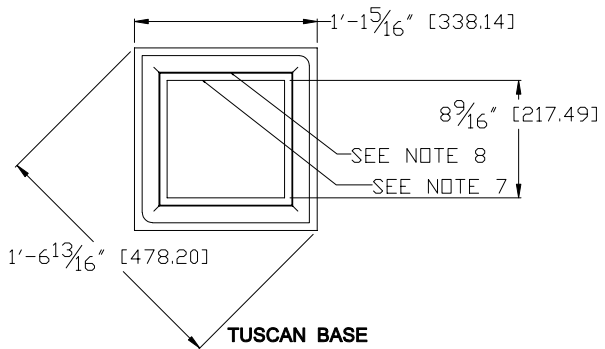
- NOTES:**
1. DIMENSIONS WITHIN THE PARENTHESES ARE METRIC UNITS (millimeters) or (Kg=Kilograms)
  2. MATERIAL: FIBERGLASS REINFORCED POLYMER (FRP)
  3. WEIGHT: COLUMN: 169 lbs. [76.66]  
CAP: 7.6 lbs. [3.45]  
BASE: 9.6 lbs. [4.35]  
NECK RING: 2.6 lbs. [1.18]
  4. MATERIAL THICKNESS.  
COLUMN: 3/4" [19.05]
  5. INSIDE DIAMETER AT TOP OF COLUMN: 8 11/16" [220.66]
  6. OUTSIDE DIAMETER AT TOP OF COLUMN: 9 3/4" [247.65]
  7. INSIDE DIAMETER AT BOTTOM OF COLUMN: 8 11/16" [220.66]
  8. OUTSIDE DIAMETER AT BOTTOM OF COLUMN: 9 3/4" [247.65]
  9. PLACEMENT OF NECK RING TO BE DETERMINED BY CUSTOMER.
  10. MAXIMUM LOAD BEARING LIMITS: 10,000 Lb. (4535.9 Kg)



**TUSCAN DROP-DOWN CAP**



**ARCHITECTURAL VIEW  
SCALE: 1/25**



**TUSCAN BASE**

Column & Post, Inc.™  
8013 Purfoy Rd.  
Fuquay-Varina, NC 27526  
Tel: (919) 255-1533  
Fax: (919) 255-1553  
E-mail: david@columnpost.com

		DIMENSIONS ARE IN INCHES (mm)		NAME	DATE
		TOLERANCES: FRACTIONAL ± 1/16"		DRAWN	NAK
		ANGULAR: MACH±		CHECKED	
		BEND±		ENG APPR.	
		2 PLACE DECIMAL±		MFG APPR.	
		THREE PLACE DECIMAL±		Q.A.	
		MATERIAL			
		FINISH			
NEXT ASSY	USED ON				
APPLICATION	DO NOT SCALE DRAWING				

©COPYRIGHT  
Column & Post, Inc. 2008

**10" X 9' Square Drop-Down Assembly**

SIZE DWG. NO. **A** REV. **01**

SCALE: 1/14 WEIGHT: SHEET 1 OF 1