

NOTES:

1. DIMENSIONS WITHIN THE PARENTHESES ARE METRIC UNITS (millimeters) or (Kg=Kilograms)

2. MATERIAL: FIBERGLASS REINFORCED POLYMER (FRP)

3. WEIGHT: POST:

4. MATERIAL THICKNESS. POST: 1/2" [12.7]

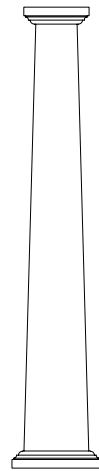
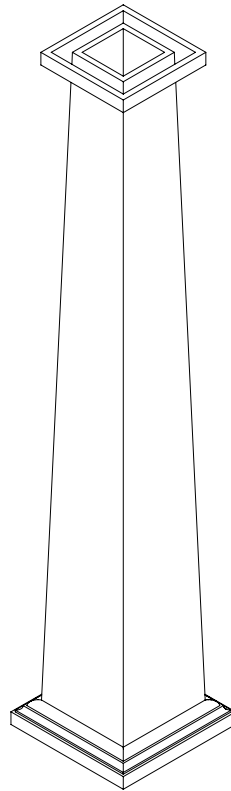
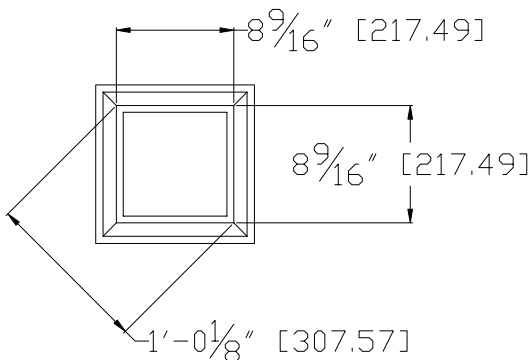
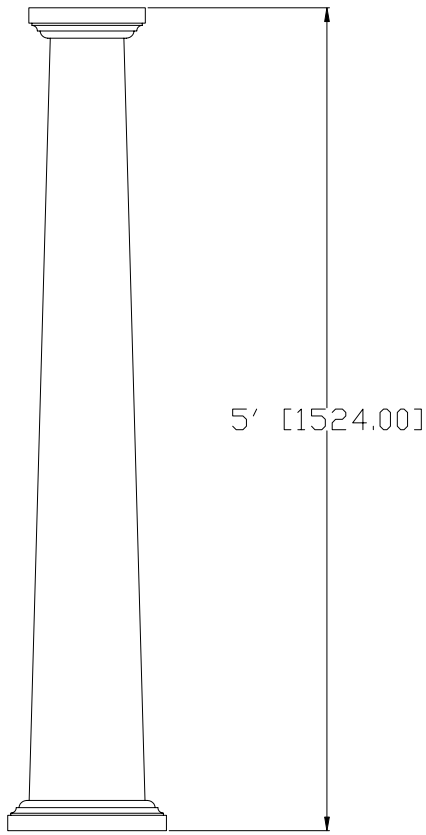
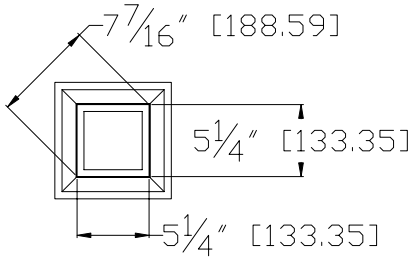
5. INSIDE DIAMETER AT TOP OF POST: 4 1/4" [107.95]

6. OUTSIDE DIAMETER AT TOP OF POST: 5 1/4" [133.35]

7. INSIDE DIAMETER AT BOTTOM OF POST: 7 9/16" [192.09]

8. OUTSIDE DIAMETER AT BOTOM OF POST: 8 9/16" [217.49]

9. MAXIMUM LOAD BEARING LIMITS: 10,000 Lb. (4535.9 Kg)



ARCHITECTURAL VIEW  
SCALE: 1/25

Column & Post, Inc.™  
8013 Purfoy Rd.  
Fuquay-Varina, NC 27526  
Tel: (919) 255-1533  
Fax: (919) 255-1553  
E-mail: david@columnpost.com

		DIMENSIONS ARE IN INCHES (mm) TOLERANCES: FRACTIONAL ± 1/16" ANGULAR: MACH± BEND± 2 PLACE DECIMAL± THREE PLACE DECIMAL±			
		MATERIAL			
		FINISH			
NEXT ASSY	USED ON				
APPLICATION		DO NOT SCALE DRAWING			

	NAME	DATE
DRAWN	NAK	
CHECKED		
ENG APPR.		
MFG APPR.		
Q.A.		

©COPYRIGHT  
Column & Post, Inc. 2008

8 1/2" x 5 1/4" x 5' Tapered Square Assembly

SIZE	DWG. NO.	REV.
A		01
SCALE: 1/14	WEIGHT:	SHEET 1 OF 1