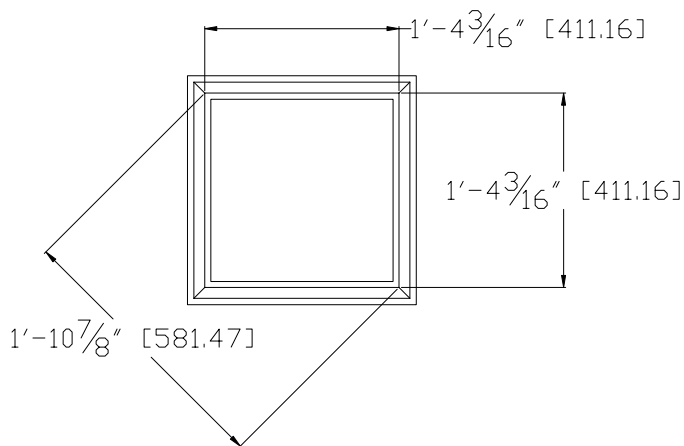
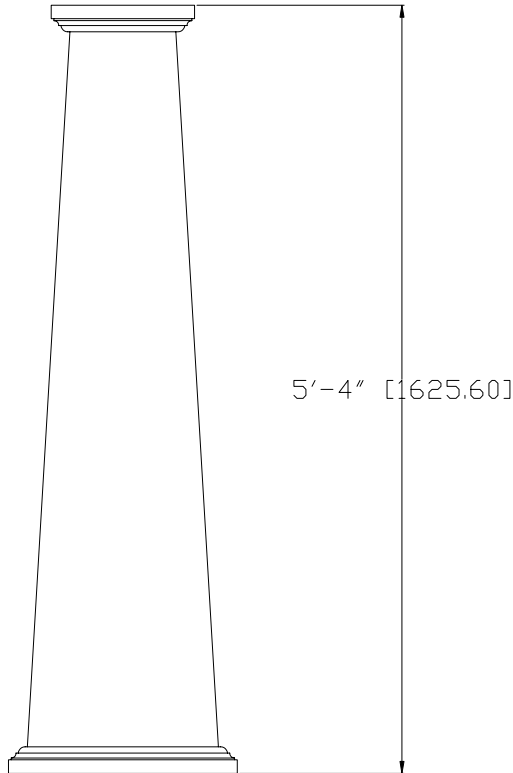
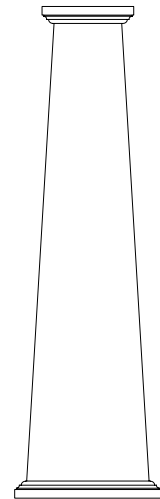
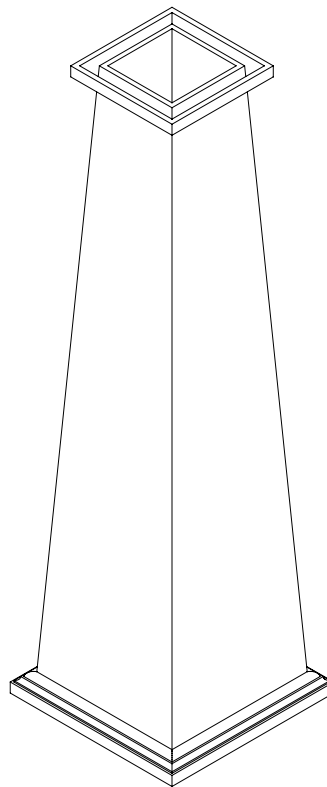


**TOP VIEW**



**BOTTOM VIEW**



**ARCHITECTURAL VIEW  
SCALE: 1/25**

**NOTES:**

1. DIMENSIONS WITHIN THE PARENTHESES ARE METRIC UNITS (millimeters) or (Kg=Kilograms)
2. MATERIAL: FIBERGLASS REINFORCED POLYMER (FRP)
3. WEIGHT: POST: 101.15 LBS. [45.88]
4. MATERIAL THICKNESS. POST: 1/2" [12.7]
5. INSIDE DIAMETER AT TOP OF POST: 7 9/16" [192.09]
6. OUTSIDE DIAMETER AT TOP OF POST: 8 9/16" [217.49]
7. INSIDE DIAMETER AT BOTTOM OF POST: 1' -3 3/16" [385.76]
8. OUTSIDE DIAMETER AT BOTTOM OF POST: 1' -4 3/16" [411.16]
9. MAXIMUM LOAD BEARING LIMITS: 8,000 Lb. (4535.9 Kg)

Column & Post, Inc.™  
8013 Purfoy Rd.  
Fuquay-Varina, NC 27526  
Tel: (919) 255-1533  
Fax: (919) 255-1553  
E-mail: david@columnpost.com

		DIMENSIONS ARE IN INCHES (mm)		NAME		DATE	
		TOLERANCES:		DRAWN		NAK	
		FRACTIONAL ± 1/8"		CHECKED			
		ANGULAR: MACH±		ENG APPR.			
		BEND±		MFG APPR.			
		2 PLACE DECIMAL±		Q.A.			
		THREE PLACE DECIMAL±					
		MATERIAL					
		FINISH					
NEXT ASSY	USED ON						
APPLICATION		DO NOT SCALE DRAWING					

©COPYRIGHT  
Column & Post, Inc. 2008

**16" x 9" x 64" Tapered  
Square Assembly**

SIZE	DWG. NO.	REV.
<b>A</b>		01
SCALE: 1/16	WEIGHT:	SHEET 1 OF 1