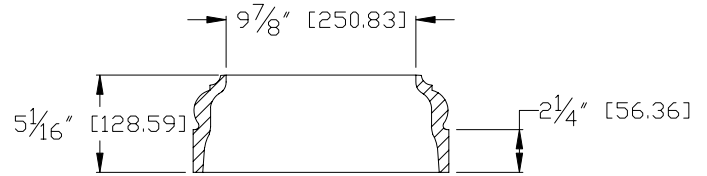


**NOTES:**

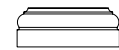
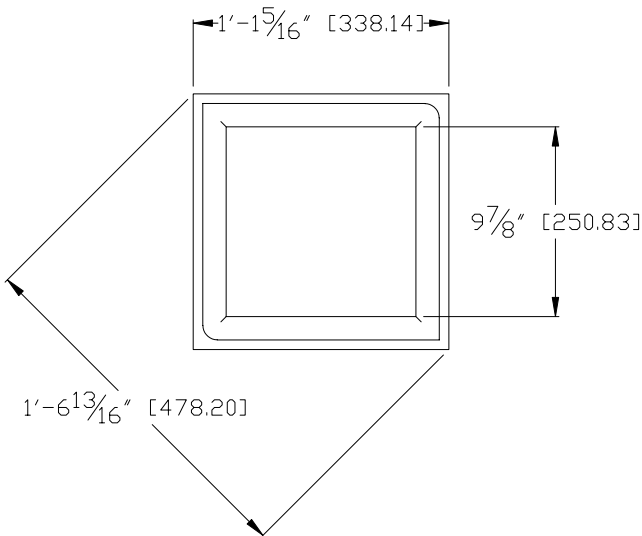
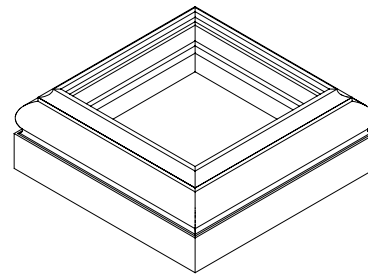
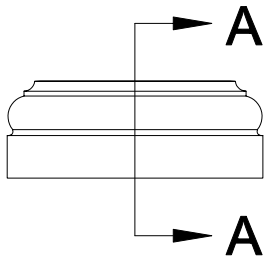
1. DIMENSIONS WITHIN THE PARENTHESES ARE METRIC UNITS (millimeters) or (Kg=Kilograms)

2. MATERIAL: FIBERGLASS REINFORCED POLYMER (FRP)

3. WEIGHT: BASE: (Composite) 9.6 lbs. [4.35]



**SECTION A-A  
SCALE 1: 8**



**ARCHITECTURAL  
VIEW  
SCALE: 1/25**

Column & Post, Inc.™  
8013 Purfoy Rd.  
Fuquay-Varina, NC 27526  
Tel: (919) 255-1533  
Fax: (919) 255-1553  
E-mail: david@columnpost.com

		DIMENSIONS ARE IN INCHES (mm) TOLERANCES: FRACTIONAL: ± 1/16" ANGULAR: MACH± BEND± 2 PLACE DECIMAL± THREE PLACE DECIMAL±	NAME	DATE	©COPYRIGHT Column & Post, Inc. 2008  <b>10" TUSCAN SQUARE BASE</b>
	DRAWN		NAK		
	CHECKED				
	ENG APPR.				
	MFG APPR.				
			Q.A.		
		MATERIAL			
		FINISH			
NEXT ASSY	USED ON				SIZE DWG. NO. <b>A</b>
APPLICATION	DO NOT SCALE DRAWING				REV. 01
				SCALE: 1/10	WEIGHT: SHEET 1 OF 1