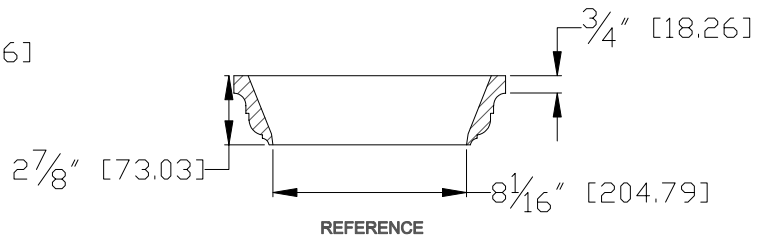
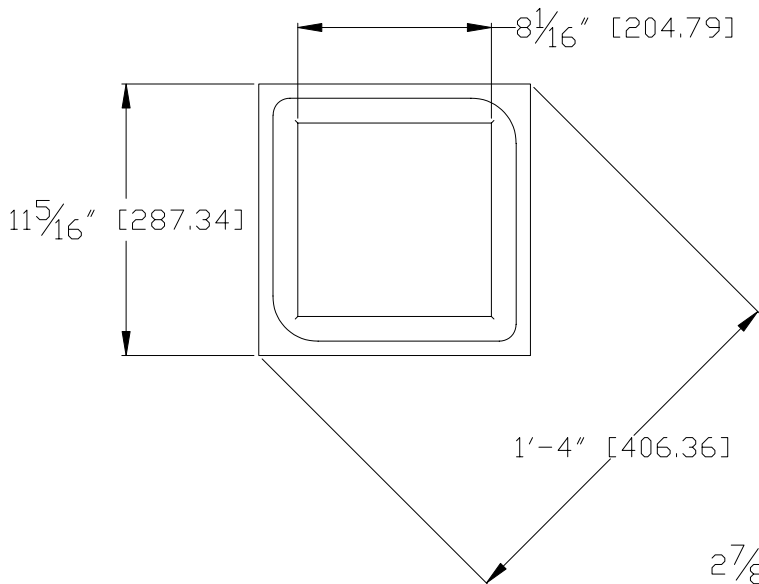
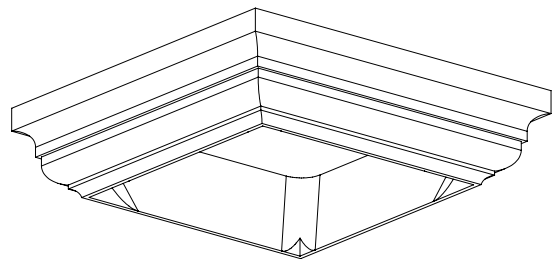
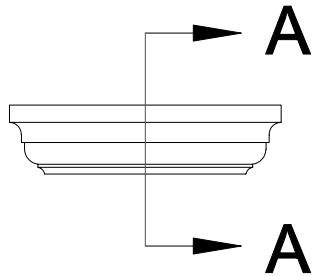


NOTES:

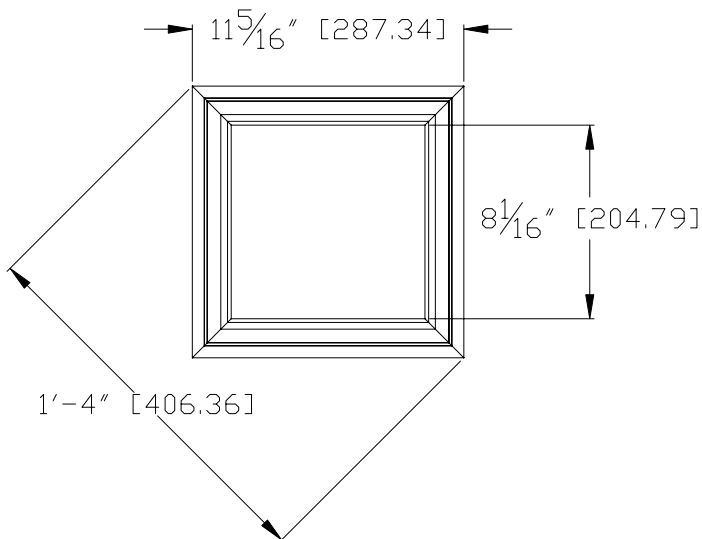
1. DIMENSIONS WITHIN THE PARENTHESES ARE METRIC UNITS (millimeters) or (Kg=Kilograms)
2. MATERIAL: FIBERGLASS REINFORCED POLYMER (FRP)
3. WEIGHT: Composite: 4.8 lbs. [2.18]
Poly:



**SECTION A-A
SCALE 1: 8**



**ARCHITECTUAL
VIEW
SCALE: 1/25**



Column & Post, Inc.[™]
8013 Purfoy Rd.
Fuquay-Varina, NC 27526
Tel: (919) 255-1533
Fax: (919) 255-1553
E-mail: david@columnpost.com

		DIMENSIONS ARE IN INCHES (mm) TOLERANCES: FRACTIONAL ± 1/8" ANGULAR: MACH± BEND± 2 PLACE DECIMAL± THREE PLACE DECIMAL±	DRAWN	NAME	DATE
			CHECKED	NAK	
			ENG APPR.		
			MFG APPR.		
			Q.A.		
		MATERIAL			
NEXT ASSY	USED ON	FINISH			
APPLICATION		DO NOT SCALE DRAWING			

©COPYRIGHT
Column & Post, Inc. 2008

**8" TUSCAN SQUARE
DROP-DOWN CAP**

SIZE DWG. NO.	REV.
A	01
SCALE: 1/8	WEIGHT:
SHEET 1 OF 1	