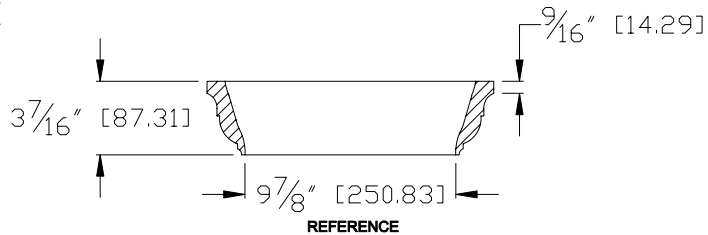
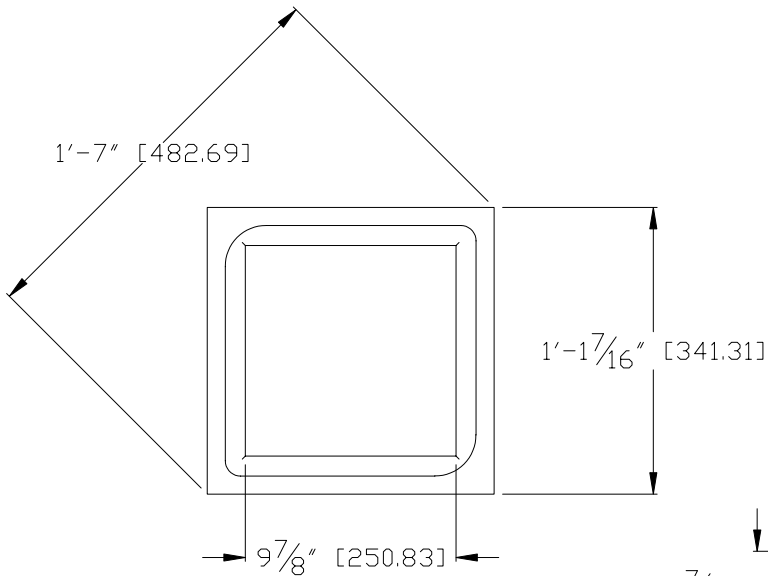
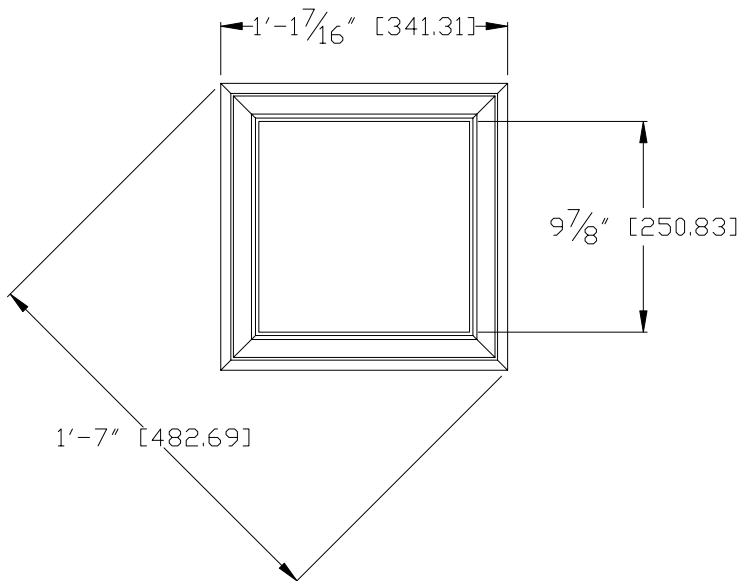
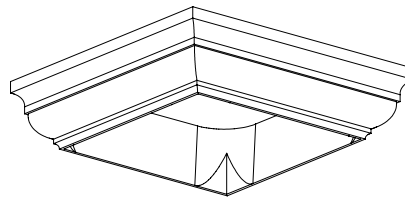
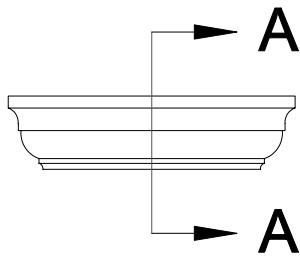


**NOTES:**

1. DIMENSIONS WITHIN THE PARENTHESES ARE METRIC UNITS (millimeters) or (Kg=Kilograms)
2. MATERIAL: FIBERGLASS REINFORCED POLYMER (FRP)
3. WEIGHT: Composite: 7.6 lbs. [3.45]  
Poly:



**SECTION A-A  
SCALE 1: 9**



**ARCHITECTURAL  
VIEW  
SCALE: 1/25**

Column & Post, Inc.™  
8013 Purfoy Rd.  
Fuquay-Varina, NC 27526  
Tel: (919) 255-1533  
Fax: (919) 255-1553  
E-mail: david@columnpost.com

		DIMENSIONS ARE IN INCHES (mm) TOLERANCES: FRACTIONAL ± 1/8" ANGULAR: MACH± BEND± 2 PLACE DECIMAL± THREE PLACE DECIMAL±		NAME	DATE
			DRAWN	NAK	
			CHECKED		
			ENG APPR.		
			MFG APPR.		
		MATERIAL			
		FINISH			
		APPLICATION	DO NOT SCALE DRAWING		

©COPYRIGHT  
Column & Post, Inc. 2008

**10" TUSCAN SQUARE  
DROP-DOWN CAP**

SIZE DWG. NO.	REV.
<b>A</b>	01
SCALE: 1/9	WEIGHT:
SHEET 1 OF 1	