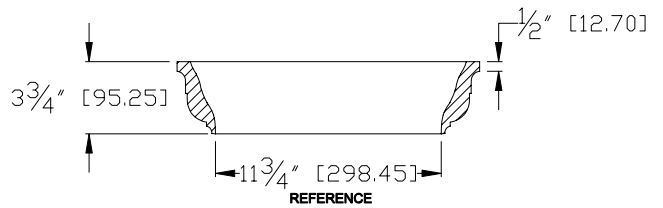
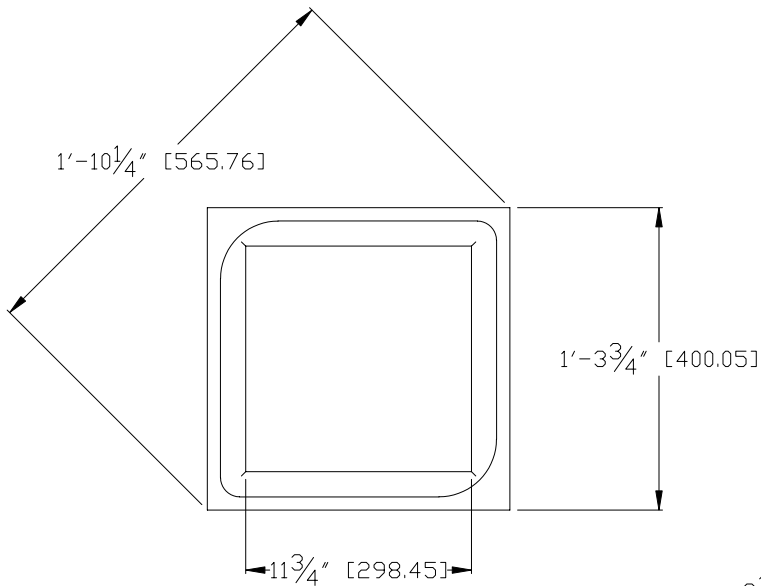
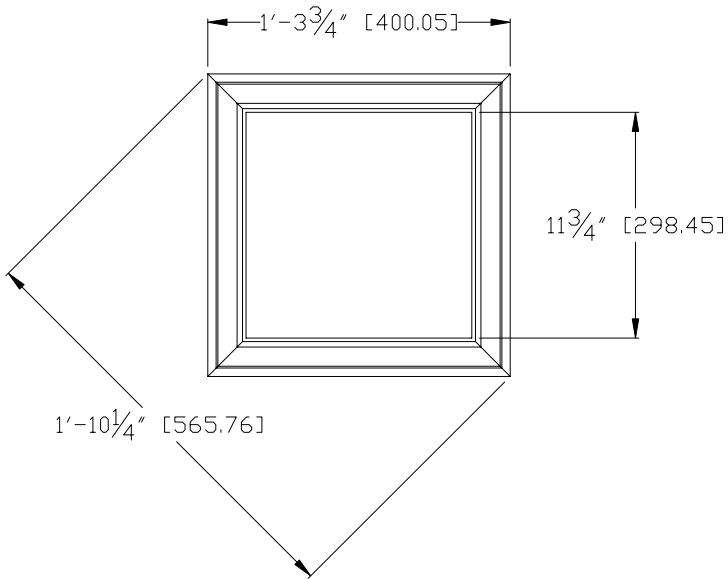
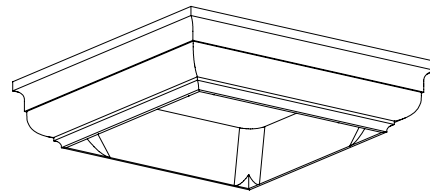
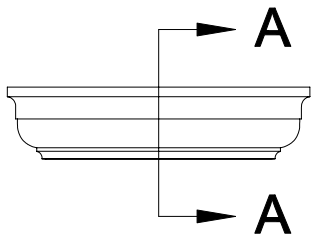


NOTES:

1. DIMENSIONS WITHIN THE PARENTHESES ARE METRIC UNITS (millimeters) or (Kg=Kilograms)
2. MATERIAL: FIBERGLASS REINFORCED POLYMER (FRP)
3. WEIGHT: Composite: 11.2 lbs. [5.08]
Poly:



**SECTION A-A
SCALE 1:9**



**ARCHITECTURAL
VIEW
SCALE: 1/25**

Column & Post, Inc.™
8013 Purfoy Rd.
Fuquay-Varina, NC 27526
Tel: (919) 255-1533
Fax: (919) 255-1553
E-mail: david@columnpost.com

		DIMENSIONS ARE IN INCHES (mm)		NAME	DATE
		TOLERANCES: FRACTIONAL ± 1/8" ANGULAR: MACH± BEND±		DRAWN	NAK
		2 PLACE DECIMAL± THREE PLACE DECIMAL±		CHECKED	
		MATERIAL		ENG APPR.	
		FINISH		MFG APPR.	
NEXT ASSY	USED ON			Q.A.	
APPLICATION		DO NOT SCALE DRAWING			

©COPYRIGHT
Column & Post, Inc. 2008

**12" TUSCAN SQUARE
DROP-DOWN CAP**

SIZE DWG. NO.	REV.
A	01
SCALE: 1/10 WEIGHT:	SHEET 1 OF 1