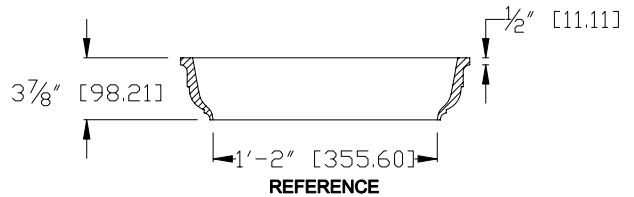
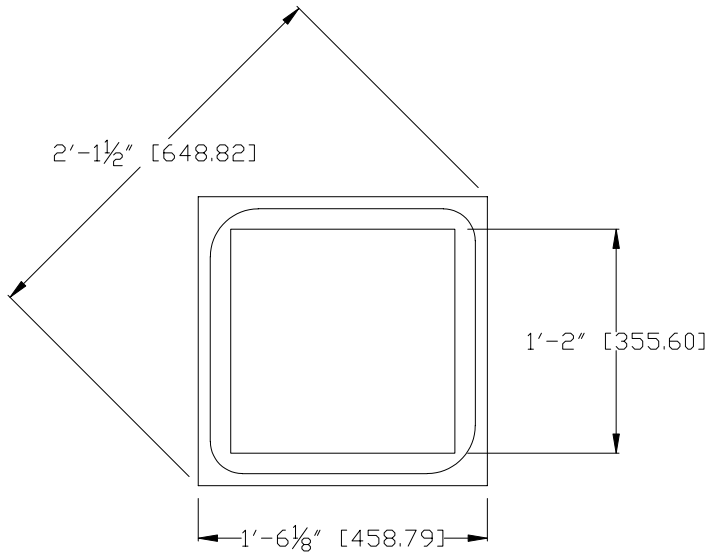
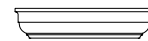
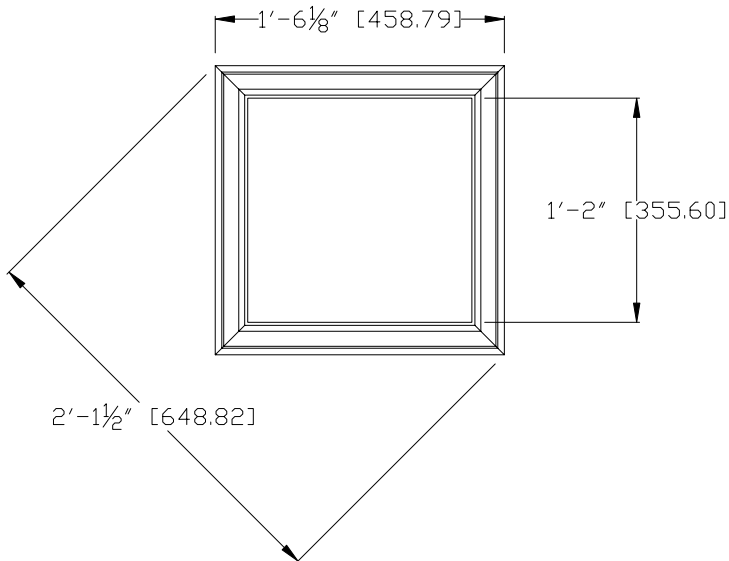
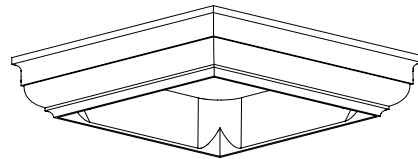
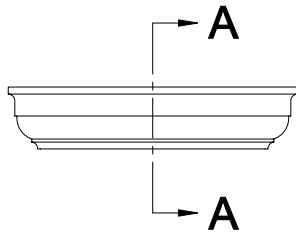


NOTES:

1. DIMENSIONS WITHIN THE PARENTHESES ARE METRIC UNITS (millimeters) or (Kg=Kilograms)
2. MATERIAL: FIBERGLASS REINFORCED POLYMER (FRP)
3. WEIGHT: Composite: 12 lbs. [5.44]
Poly:



**SECTION A-A
SCALE 1:12**



**ARCHITECTURAL
VIEW
SCALE: 1/25**

Column & Post, Inc.™
8013 Purfoy Rd.
Fuquay-Varina, NC 27526
Tel: (919) 255-1533
Fax: (919) 255-1553
E-mail: david@columnpost.com

		DIMENSIONS ARE IN INCHES (mm) TOLERANCES: FRACTIONAL ± 1/16" ANGULAR: MACH± BEND± 2 PLACE DECIMAL± THREE PLACE DECIMAL±		NAME	DATE
			DRAWN	NAK	3/19/2010
			CHECKED		
			ENG APPR.		
			MFG APPR.		
		MATERIAL			
		FINISH			
	NEXT ASSY	USED ON			
	APPLICATION	DO NOT SCALE DRAWING			

©COPYRIGHT
Column & Post, Inc. 2010

**14" TUSCAN SQUARE
DROP-DOWN CAP**

SIZE DWG. NO.	REV.
A	01
SCALE: 1/12	WEIGHT:
SHEET 1 OF 1	