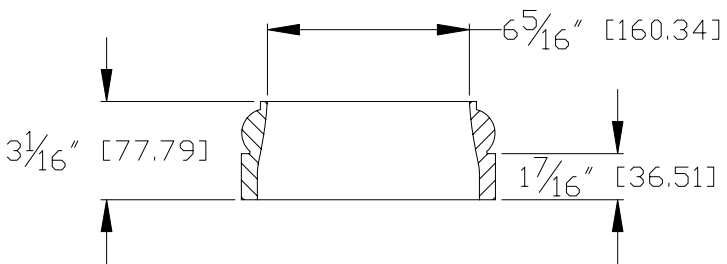
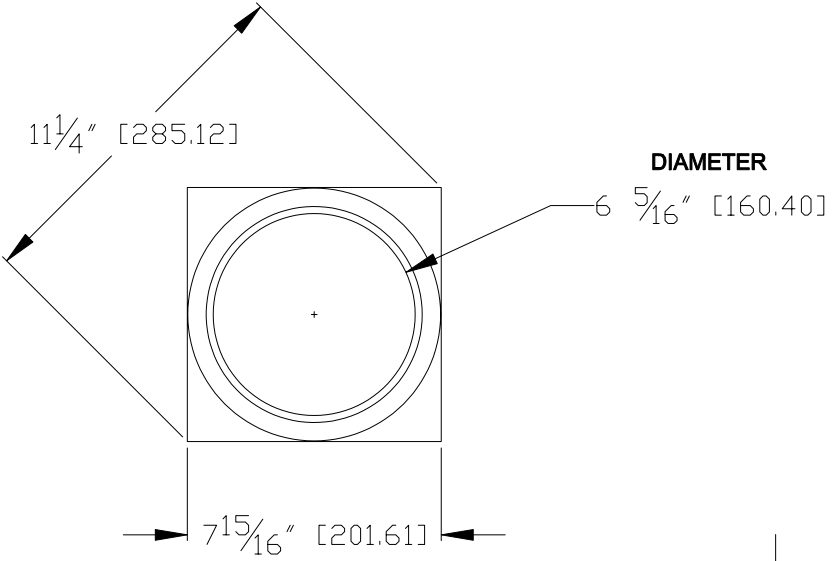
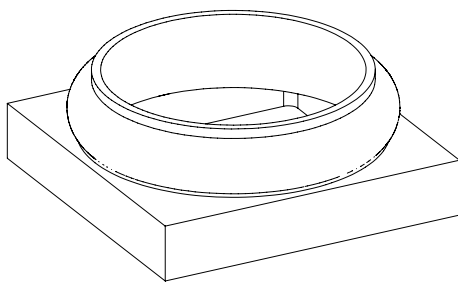
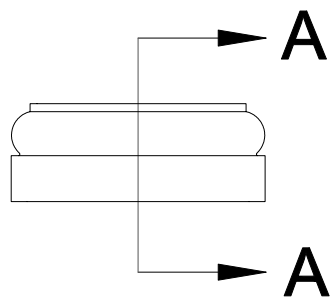


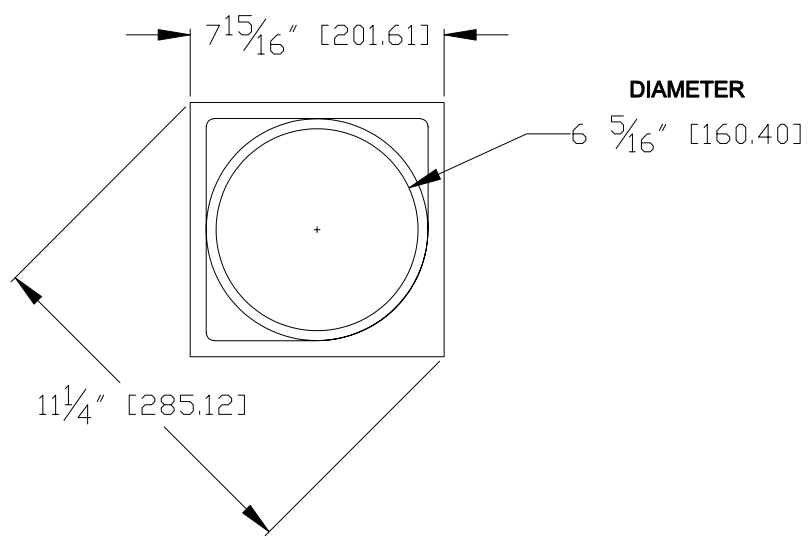
- NOTES:
1. DIMENSIONS WITHIN THE PARENTHESES ARE METRIC UNITS (millimeters) or (Kg=Kilograms)
 2. MATERIAL: FIBERGLASS REINFORCED POLYMER (FRP)
 3. WEIGHT: BASE: (Composite) 3 lbs. [1.36]



SECTION A-A
SCALE 1: 6



ARCHITECTUAL
VIEW
SCALE: 1/25



Column & Post, Inc.™
8013 Purfoy Rd.
Fuquay-Varina, NC 27526
Tel: (919) 255-1533
Fax: (919) 255-1553
E-mail: david@columnpost.com

		DIMENSIONS ARE IN INCHES (mm) TOLERANCES: FRACTIONAL ± 1/16" ANGULAR: MACH ± BEND ± 2 PLACE DECIMAL ± THREE PLACE DECIMAL ±	DRAWN	NAME	DATE
			CHECKED	NAK	
			ENG APPR.		
			MFG APPR.		
			Q.A.		
		MATERIAL			
		FINISH			
NEXT ASSY	USED ON				
APPLICATION	DO NOT SCALE DRAWING				

©COPYRIGHT
Column & Post, Inc. 2008

6" TUSCAN ROUND BASE

SIZE	DWG. NO.	REV.
A		01
SCALE: 1/10	WEIGHT:	SHEET 1 OF 1