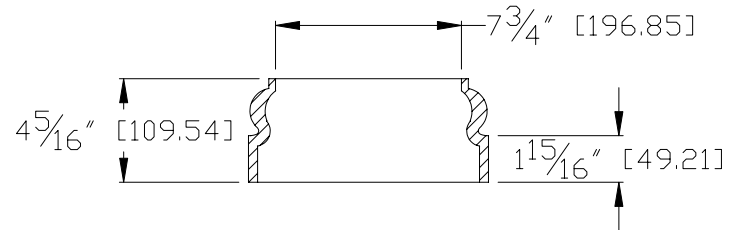
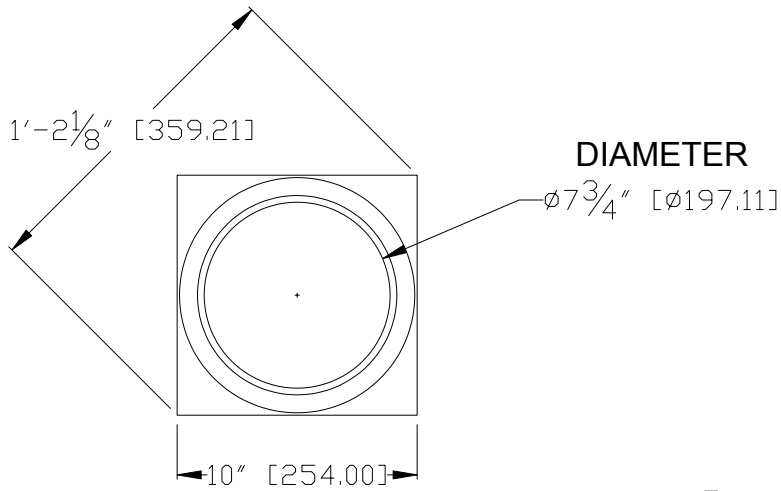
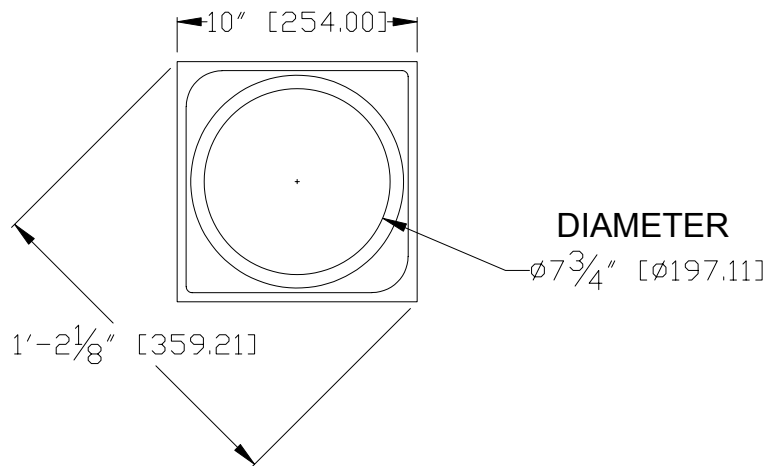
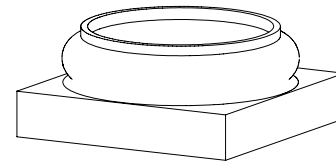
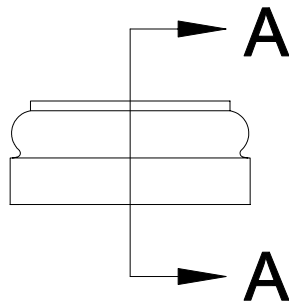


NOTES:

1. DIMENSIONS WITHIN THE PARENTHESES ARE METRIC UNITS (millimeters) or (Kg=Kilograms)
2. MATERIAL: FIBERGLASS REINFORCED POLYMER (FRP)
3. WEIGHT: BASE: (Composite) 4.7 lbs. [2.13]



SECTION A-A
SCALE 1: 8



ARCHITECTURAL
VIEW
SCALE: 1/25

Column & Post, Inc.™
8013 Purfoy Rd.
Fuquay-Varina, NC 27526
Tel: (919) 255-1533
Fax: (919) 255-1553
E-mail: david@columnpost.com

		DIMENSIONS ARE IN INCHES (mm)		NAME		DATE		©COPYRIGHT	
		TOLERANCES:		DRAWN		NAK		Column & Post, Inc. 2008	
		FRACTIONAL ± 1/8"		CHECKED				8" TUSCAN ROUND BASE	
		ANGULAR: MACH±		ENG APPR.					
		BEND±		MFG APPR.					
		2 PLACE DECIMAL±		Q.A.					
		THREE PLACE DECIMAL±							
		MATERIAL							
		FINISH						SIZE DWG. NO.	
NEXT ASSY	USED ON							REV.	
APPLICATION		DO NOT SCALE DRAWING						01	
						SCALE: 1/8		WEIGHT:	
								SHEET 1 OF 1	