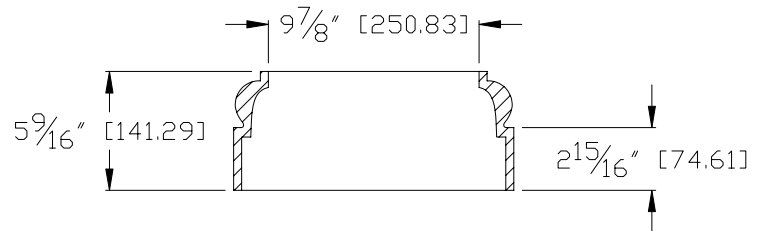
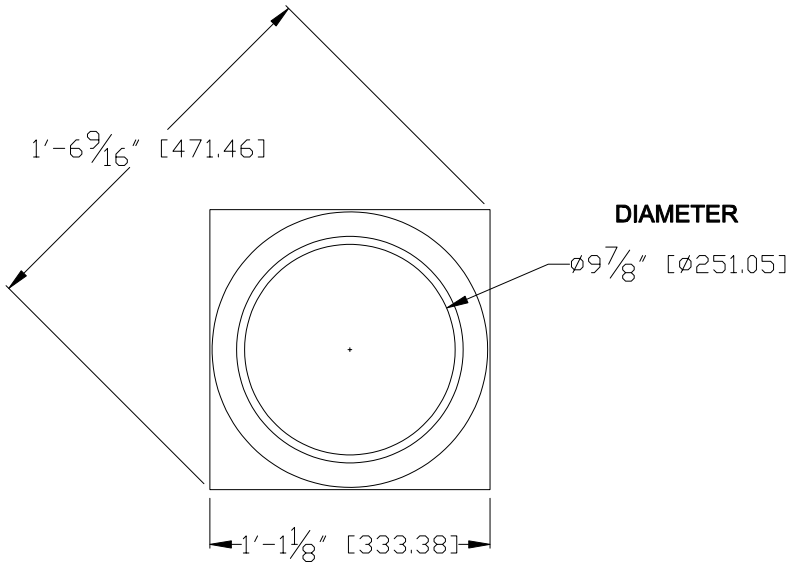


NOTES:

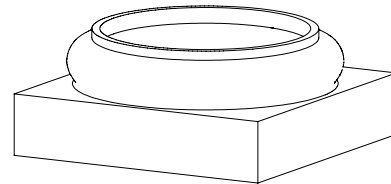
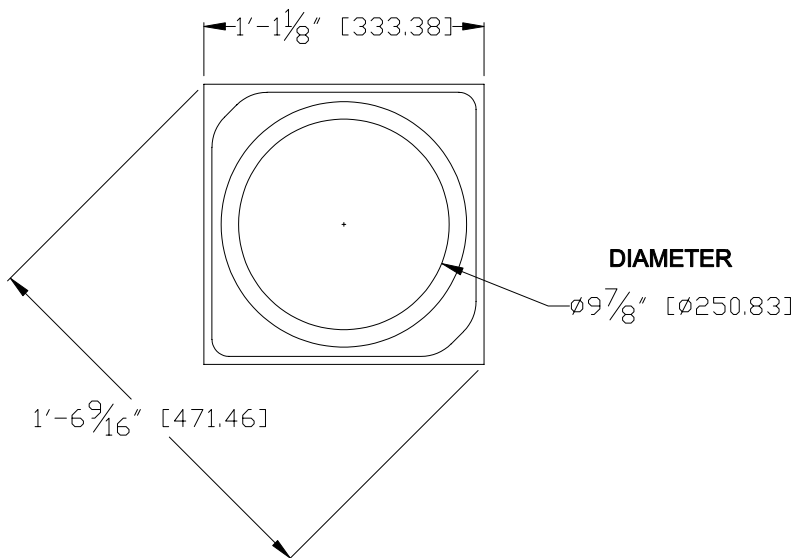
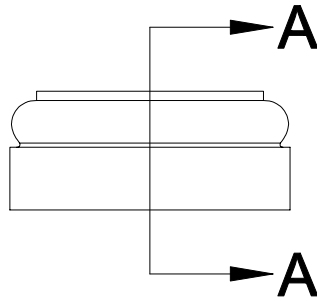
1. DIMENSIONS WITHIN THE PARENTHESES ARE METRIC UNITS (millimeters) or (Kg=Kilograms)

2. MATERIAL: FIBERGLASS REINFORCED POLYMER (FRP)

3. WEIGHT: BASE: (Composite) ? lbs. [?]



SECTION A-A
SCALE 1: 9



ARCHITECTURAL
VIEW
SCALE: 1/25

Column & Post, Inc.™
 8013 Purfoy Rd.
 Fuquay-Varina, NC 27526
 Tel: (919) 255-1533
 Fax: (919) 255-1553
 E-mail: david@columnpost.com

		DIMENSIONS ARE IN INCHES (mm) TOLERANCES: FRACTIONAL ± 1/8" ANGULAR: MACH± BEND± 2 PLACE DECIMAL± THREE PLACE DECIMAL±	NAME	DATE
			DRAWN	NAK
			CHECKED	
			ENG APPR.	
			MFG APPR.	
		MATERIAL	Q.A.	
NEXT ASSY	USED ON	FINISH		
APPLICATION		DO NOT SCALE DRAWING		

©COPYRIGHT
 Column & Post, Inc. 2008

10" TUSCAN ROUND BASE

SIZE	DWG. NO.	REV.
A		01
SCALE: 1/9	WEIGHT:	SHEET 1 OF 1