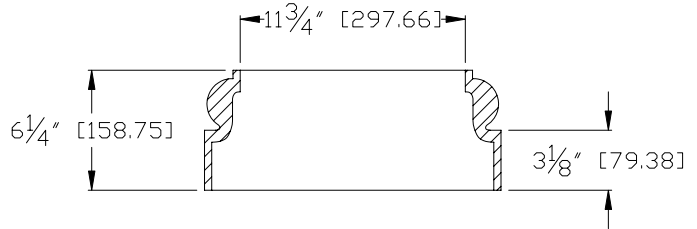
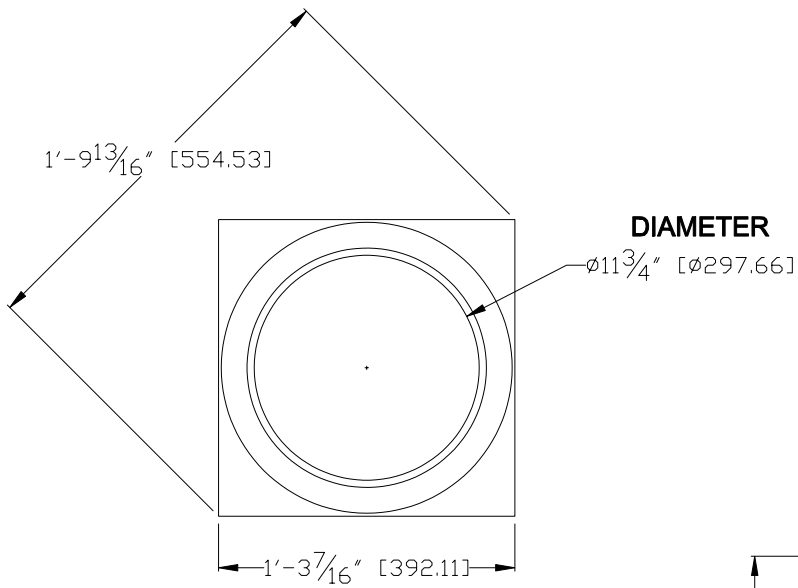
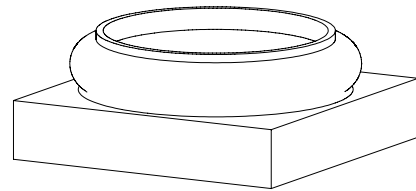
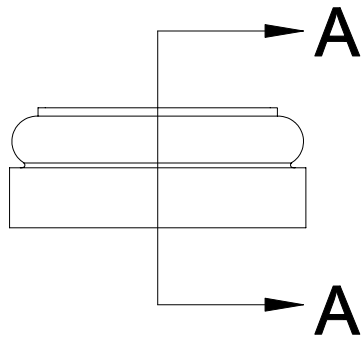


NOTES:

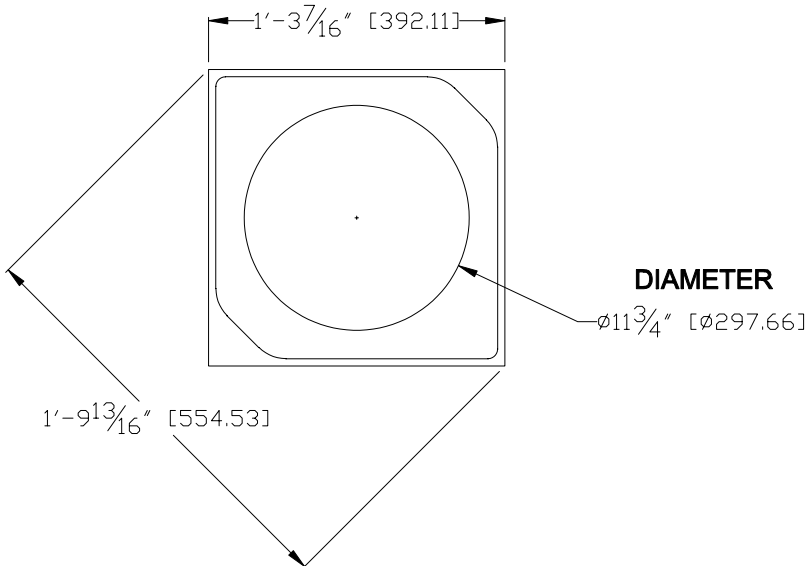
1. DIMENSIONS WITHIN THE PARENTHESES ARE METRIC UNITS (millimeters) or (Kg=Kilograms)
2. MATERIAL: FIBERGLASS REINFORCED POLYMER (FRP)
3. WEIGHT: BASE: (Composite) ? lbs. [?]



SECTION A-A
SCALE 1:10



ARCHITECTURAL
VIEW
SCALE: 1/25



		DIMENSIONS ARE IN INCHES (mm)		NAME		DATE		©COPYRIGHT	
		TOLERANCES:		DRAWN		NAK		Column & Post, Inc. 2008	
		FRACTIONAL ± 1/8"		CHECKED				12" TUSCAN ROUND BASE	
		ANGULAR: MACH±		ENG APPR.					
		BEND±		MFG APPR.					
		2 PLACE DECIMAL±		Q.A.					
		THREE PLACE DECIMAL±							
		MATERIAL							
		FINISH							
NEXT ASSY		USED ON						SIZE DWG. NO.	
APPLICATION		DO NOT SCALE DRAWING						REV.	
								01	
						SCALE: 1/10		WEIGHT:	
								SHEET 1 OF 1	

Column & Post, Inc.™
 8013 Purfoy Rd.
 Fuquay-Varina, NC 27526
 Tel: (919) 255-1533
 Fax: (919) 255-1553
 E-mail: david@columnpost.com