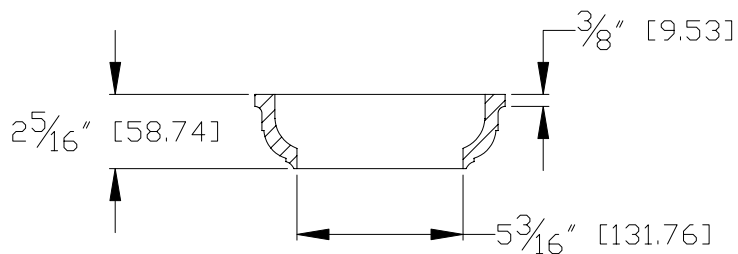
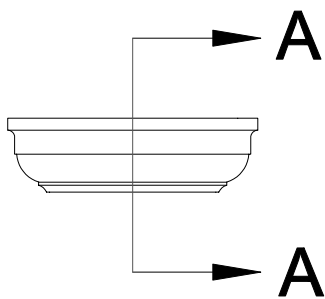


DIAMETER

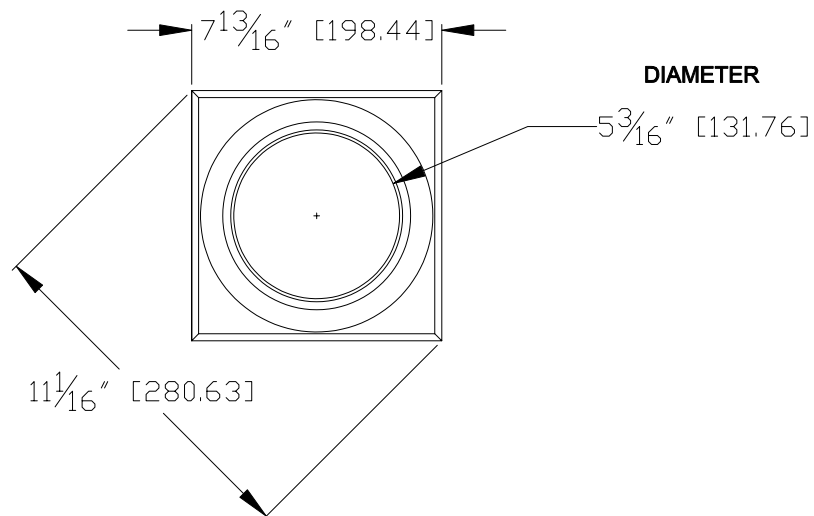
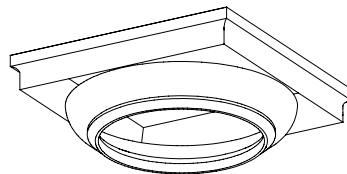
5 $\frac{3}{16}$ " [131.76]

7 $\frac{13}{16}$ " [198.44]

11 $\frac{1}{16}$ " [280.63]



SECTION A-A
SCALE 1: 6



DIAMETER

5 $\frac{3}{16}$ " [131.76]

7 $\frac{13}{16}$ " [198.44]

11 $\frac{1}{16}$ " [280.63]

ARCHITECTURAL
VIEW
SCALE: 1/25

Column & Post, Inc.™
8013 Purfoy Rd.
Fuquay-Varina, NC 27526
Tel: (919) 255-1533
Fax: (919) 255-1553
E-mail: david@columnpost.com

		DIMENSIONS ARE IN INCHES (mm) TOLERANCES: FRACTIONAL ± 1/16" ANGULAR: MACH± BEND± 2 PLACE DECIMAL± THREE PLACE DECIMAL±	DRAWN	NAME	DATE
			CHECKED	NAK	
			ENG APPR.		
			MFG APPR.		
			Q.A.		
		MATERIAL			
NEXT ASSY	USED ON	FINISH			
APPLICATION		DO NOT SCALE DRAWING			

©COPYRIGHT
Column & Post, Inc. 2008

6" TUSCAN ROUND
DROP-DOWN CAP

SIZE DWG. NO.	REV.
A	01
SCALE: 1/6	WEIGHT:
SHEET 1 OF 1	