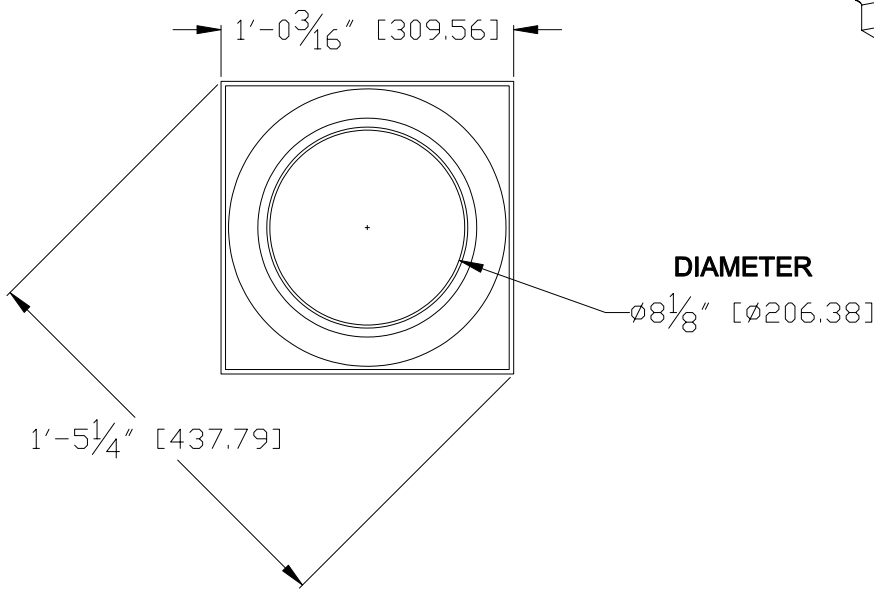
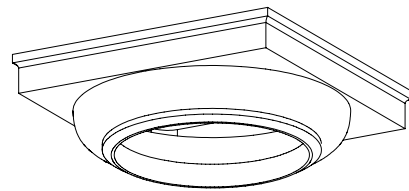
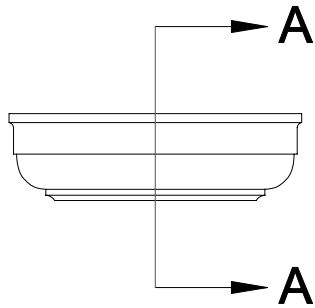
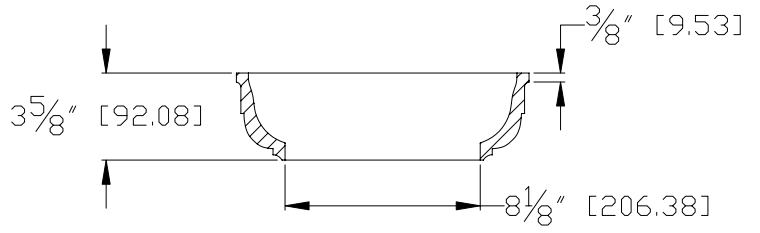
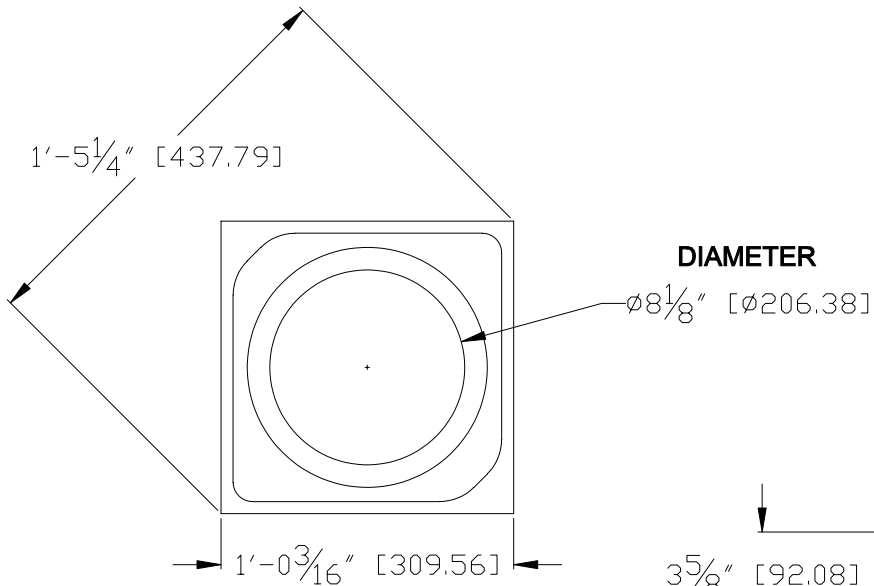


NOTES:

1. DIMENSIONS WITHIN THE PARENTHESES ARE METRIC UNITS (millimeters) or (Kg=Kilograms)
2. MATERIAL: FIBERGLASS REINFORCED POLYMER (FRP)
3. WEIGHT: Composite: ? lbs. [?] Poly:



ARCHITECTURAL VIEW
SCALE: 1/25

Column & Post, Inc.™
 8013 Purfoy Rd.
 Fuquay-Varina, NC 27526
 Tel: (919) 255-1533
 Fax: (919) 255-1553
 E-mail: david@columnpost.com

		DIMENSIONS ARE IN INCHES (mm)		NAME	DATE
		TOLERANCES:		DRAWN	NAK
		FRACTIONAL ± 1/8"		CHECKED	
		ANGULAR: MACH ±		ENG APPR.	
		BEND ±		MFG APPR.	
		2 PLACE DECIMAL ±		Q.A.	
		THREE PLACE DECIMAL ±			
		MATERIAL			
NEXT ASSY	USED ON	FINISH			
APPLICATION		DO NOT SCALE DRAWING			

©COPYRIGHT
 Column & Post, Inc. 2008

**10" TUSCAN ROUND
 DROP-DOWN CAP**

SIZE	DWG. NO.	REV.
A		01
SCALE: 1/8	WEIGHT:	SHEET 1 OF 1