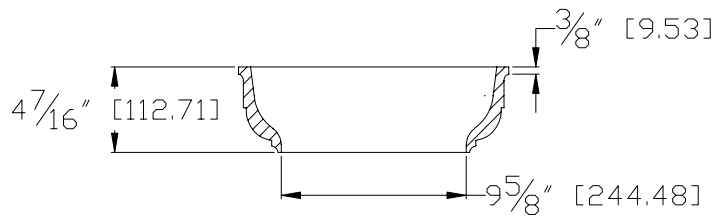
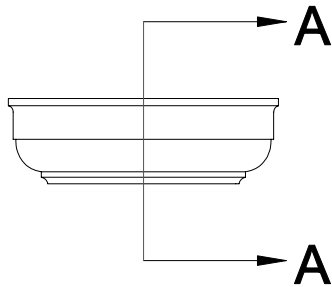
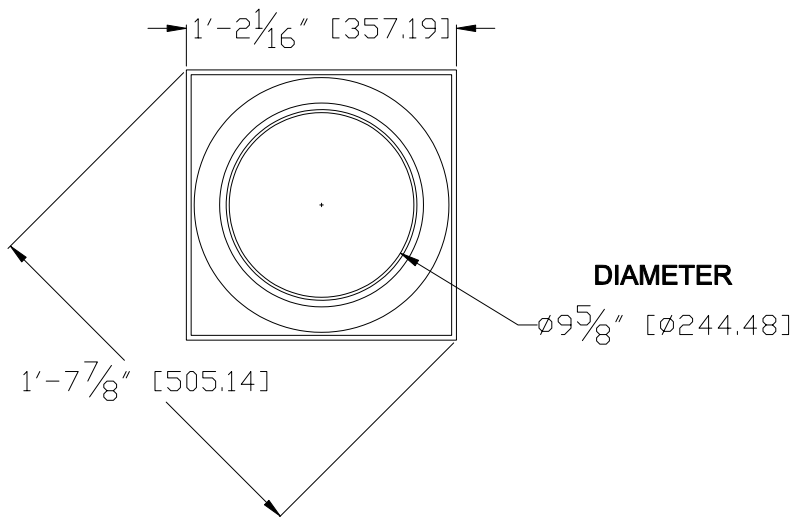


DIAMETER

$\phi 9 \frac{5}{8}''$ [$\phi 244.48$]

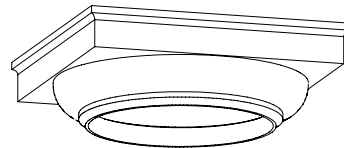


SECTION A-A
SCALE 1: 10



DIAMETER

$\phi 9 \frac{5}{8}''$ [$\phi 244.48$]



ARCHITECTURAL
VIEW
SCALE: 1/25



- NOTES:**
1. DIMENSIONS WITHIN THE PARENTHESES ARE METRIC UNITS (millimeters) or (Kg=Kilograms)
 2. MATERIAL: FIBERGLASS REINFORCED POLYMER (FRP)
 3. WEIGHT: Composite: ? lbs. [?] Poly:

Column & Post, Inc.™
8013 Purfoy Rd.
Fuquay-Varina, NC 27526
Tel: (919) 255-1533
Fax: (919) 255-1553
E-mail: david@columnpost.com

		DIMENSIONS ARE IN INCHES (mm) TOLERANCES: FRACTIONAL ± 1/8" ANGULAR: MACH± BEND± 2 PLACE DECIMAL± THREE PLACE DECIMAL±		NAME	DATE
			DRAWN	NAK	
			CHECKED		
			ENG APPR.		
			MFG APPR.		
		MATERIAL			
		FINISH			
		Q.A.			
NEXT ASSY	USED ON				
APPLICATION		DO NOT SCALE DRAWING			

©COPYRIGHT
Column & Post, Inc. 2008

12" TUSCAN ROUND
DROP-DOWN CAP

SIZE DWG. NO.	REV.
A	01
SCALE: 1/10	WEIGHT:
SHEET 1 OF 1	